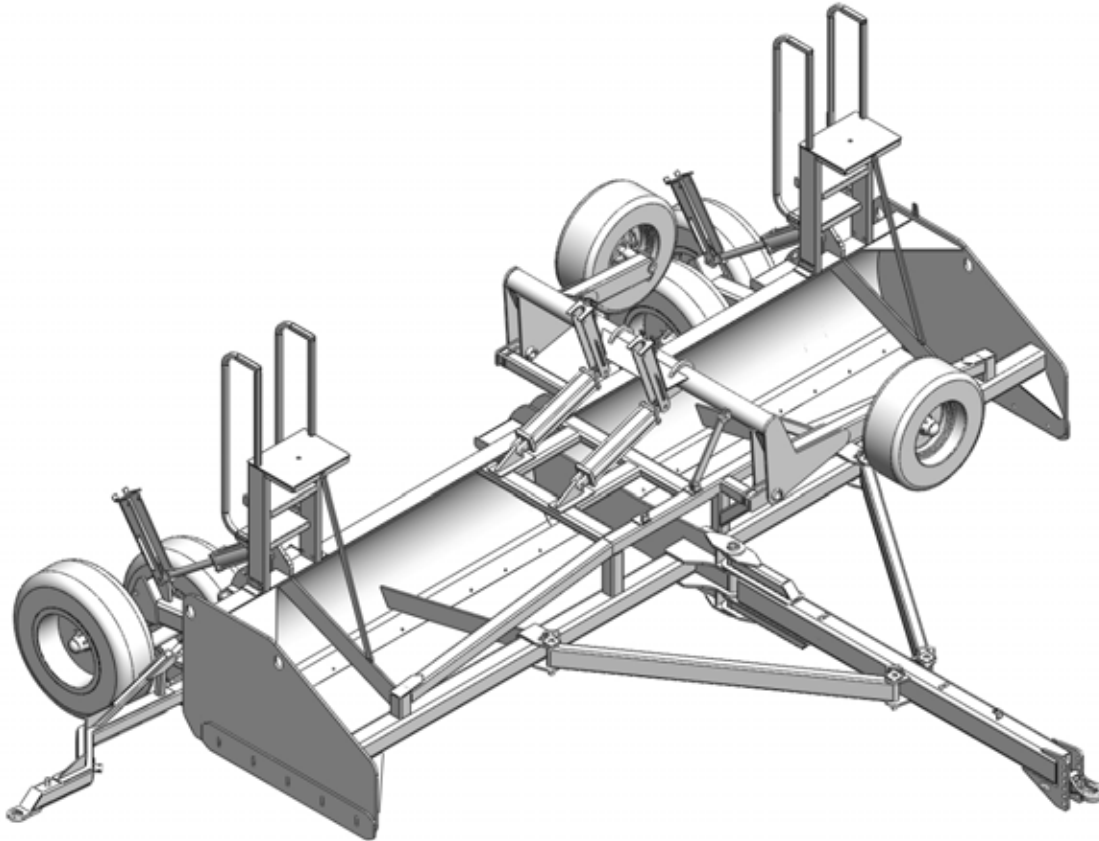


SCHMEISER®
PRECISION FINISHING
SCRAPER
10 FT. to 24 FT. WIDE



ASSEMBLY & PARTS MANUAL

T.G. SCHMEISER CO., INC.

P.O. BOX 1047 FRESNO, CA 93714
(559) 268-8128 FAX (559) 268-3279

www.tgschmeiser.com

VERSION 1.6

APRIL 2013

©COPYRIGHT 2013 T.G.SCHMEISER CO., INC.



INTRODUCTION

Your Schmeiser Finishing Scraper is designed to give you many years of dependable service. This manual has been prepared to instruct you in the safe and efficient operation of this machine. Read and study it thoroughly. Follow all instructions carefully.

Should your Finishing Scraper require replacement parts, go to your Schmeiser dealer. Always order genuine Schmeiser replacement parts.

It is important that you complete and send in your Warranty Card because it is not valid unless it is on file at Schmeiser. If you need information not contained in this manual, contact your Schmeiser dealer.

Space has been provided below for you to record the model number and serial number of your Finishing Scraper. Be sure to bring this information with you to your dealer when ordering parts or attachments for your Finishing Scraper.

Thank you for buying a Schmeiser Finishing Scraper.

SERIAL NUMBER _____

MODEL NUMBER _____

DATE PURCHASED _____

DEALER NAME _____

TABLE OF CONTENTS

Introduction.....	2
Table of Contents.....	3
Safety Sheet	4
Finishing Scraper Assembly Instructions	5-7
Complete Rigid Finishing Scraper Assembly.....	8-9
Complete Folding Finishing Scraper Assembly	10-11
Pull Frame and Braces Assembly (rigid models)	12
Pull Frame and Braces Assembly (folding models)	13
Rear Wheel Axle Assembly.....	14
Rear Wheel Axle Adjustment Bolt Assembly	15
Walking Beam Assembly	16
Rear Wheel Axle Spindle and Hub Assembly.....	17
Laser Tower/GPS Stand Assembly.....	18
Transport Wheel Axle Assembly (for units with Transport Option).....	19
Transport Wheel Axle Spindle and Hub Assembly (Optional)	20
Transport Tongue Assembly (Optional).....	21
Transport Tongue Turnbuckle Assembly (Optional).....	22
Swivel Hitch Assembly (Optional).....	23
Hydraulic Diagrams	24-26
Limited Warranty.....	27
Maintenance and Repair Record Sheet.....	28



SAFETY

The safe operation of any machinery is an important concern to farmers and manufactures. There are obvious and hidden potential hazards involved in the operation of this implement. Carefully read and follow all safety precautions before operation. Serious injury or death may occur unless care is taken to insure the safety of both the operator and any other persons in the area.

1. This is a rear-mounted implement that removes weight from the front wheels of the tractor and can cause loss of steering with possible overturn. Add front-end weight until at least 20% of tractor original weight is on the front wheels when leveler is in transport position for steering and prevention of bodily injury. When on rough surfaces, transport slowly to prevent bouncing front wheels off surface with loss of steering and possible injury.
2. Be especially careful when transporting on slopes. Never turn uphill in transport except at slow speed and a low rate of turn. Never transport or operate this machine on steep slopes.
3. Never permit anyone to ride on or walk beside the implement when moving.
4. Never permit anyone to ride on tractor when implement is being moved.
5. Never allow anyone to be near the implement when performing operating functions with implement or tractor.
6. Do not enter tractor when tractor is moving. Avoid serious injury or death from contact with rotating tires. Enter and exit the tractor only when it is completely stopped.
7. When in transport, use accessory lights and devices for adequate warning to operators of other vehicles. Comply with all Federal, State, and local laws when traveling on public roads.
8. Use "Slow Moving Vehicle" emblem for warning vehicles approaching from the rear.
9. When transporting, remember that the implement may be wider than your tractor and extreme care must be taken to allow for safe clearance.
10. Never allow inexperienced or untrained personnel to operate the implement or tractor without supervision.
11. When using compressed air to clean implement, wear safety glasses.
12. Check all fasteners for tightness or damage before and after operation. Repair immediately if required.
13. Store implement in a stable position.



1. Select a smooth, level area approximately 26 feet wide and 26 feet long.
2. Position main frame on the ground on wooden blocks and center in the area with the open bucket facing the direction that the machine is to be pulled.
3. Position and attach tongue to the main frame with (8) 1" x 3" NC Cap Screws and with lock washers and hex nuts.
4. Hoist and attach left brace and right brace with (4) 1" x 2-1/2" NC Cap Screws with lock washers and hex nuts on each side. See page 10 for reference.
5. Install (2) 4" x 16" Tie Rod Hydraulic Cylinders on the main bucket. Connect cap ends of the cylinders (bottom ends) to the cylinder anchors on the main bucket using cylinder lockout pins with cotter pins.
6. Using hoist, pick up right side portion of wheel axle, align cylinder anchor on the wheel axle with cylinder anchor on the main bucket. Connect wheel axle and main bucket using 2" pivot pins with 3/8" x 3-1/2" NC cap screw, lock washer, and hex nuts. Refer to page 14 for details.
7. Using hoist, pick up left side portion of wheel axle, align adjustment bolt on the wheel axle with cylinder anchor on the main bucket. Connect wheel axle and main bucket using 2" pivot pins. Refer to page 15 for details.
8. Connect rod ends of the hydraulic cylinders to the flip lockout bars and wheel axle (right side -to the wheel axle cylinder anchor, left side - to the wheel axle adjustment bolt) using 1" x 5-1/2" Gr. 8 NC cap screws with nylon lock hex nuts.
9. Attach walking beam assemblies to the wheel axle. Use 2" pivot pins. See drawing on page 16 for proper installation.
10. For units 16' and smaller, mount 13.5x13 tires to the spindles on the walking beams. Mount 16.5x16 tires for 18' and larger units. Insure that valve stems are to the inside. Tighten all bolts securely.
11. Mount laser tower(s) to the main bucket using (4) 3/4" x 4" NC Cap Screws with lock washers and hex nuts for each tower. Refer to page 20 for details. Mount GPS tower to the main bucket using (4) 3/4" x 2" NC Cap Screws with lock washers and hex nuts.
12. Install main bucket blades using 5/8" x 2-1/4" NC Plow Bolts with lock washers and hex nuts. See page 9 for details.
13. Install adjustable side blades using 5/8" x 2-1/2" NC Cap Screws with flat washers, lock washers, and hex nuts. See page 9 for details.

ATTENTION: ENSURE THAT REAR WHEEL AXLE CENTER PLATES ARE NOT BOLTED TOGETHER FOR UNITS WITH TWO TOWERS!



1. Select a smooth, level area approximately 30 feet wide and 30 feet long.
2. Position main frame on the ground on wooden blocks and center in the area.
3. Position and attach tongue to the main frame with 2" hinge pin with 3/8" x 3" NC cap screw, lock washer, and hex nut.
4. Hoist and attach left brace and right brace to the main frame with 1-1/2" brace pins with cotter pins on each side. See page 11 for reference. Attach both braces to the tongue with 1-1/2" brace locking pins with 7/16" lynch pins.
5. Using hoist, pick up right side portion of wheel axle, align cylinder anchor on the wheel axle with cylinder anchor on the main bucket. Connect wheel axle leg to the main bucket using 2" pivot pin with 3/8" x 3-1/2" NC cap screw, lock washer, and hex nut (refer to page 14 for details).
6. Using hoist, pick up left side portion of wheel axle, align adjustment bolt on the wheel axle with cylinder anchor on the main bucket. Connect wheel axle leg to the main bucket using 2" pivot pin with 3/8" x 3-1/2" NC cap screw, lock washer, and hex nut (refer to page 15 for details).
7. Install (2) 4" x 16" tie rod hydraulic cylinders on the back of the main bucket. Connect cap ends of the cylinders (bottom ends) to the cylinder anchors on the main bucket using cylinder pins with cotter pins.
8. Connect rod ends of the hydraulic cylinders to the flip lockout bars and wheel axle (right side - to the wheel axle cylinder anchor, left side - to the wheel axle adjustment bolt) using 1" x 5-1/2" Gr.8 NC cap screws with nylon lock hex nuts.
9. Attach walking beam assemblies to the wheel axle. Use 2" pivot pins. See drawing on page 16 for proper installation.
10. Mount 16.5 x 16 tires to the spindles on the walking beams. Ensure that valve stems are to the inside. Tighten all bolts securely.
11. Mount laser tower(s) to the main bucket using (4) 3/4" x 4" NC cap screws with lock washers and hex nuts for each tower. Refer to page 20 for details. Mount GPS tower to the main bucket using (4) 3/4" x 2" NC Cap Screws with lock washers and hex nuts.
12. Install main bucket blades using 5/8" x 2-1/4" NC plow bolts with lock washers and hex nuts. See page 9 for details.
13. Install adjustable side blades using 5/8" x 2-1/2" NC cap screws with flat washers, lock washers, and hex nuts. See page 9 for details

ATTENTION: ENSURE THAT REAR WHEEL AXLE CENTER PLATES ARE NOT BOLTED TOGETHER FOR UNITS WITH TWO TOWERS!

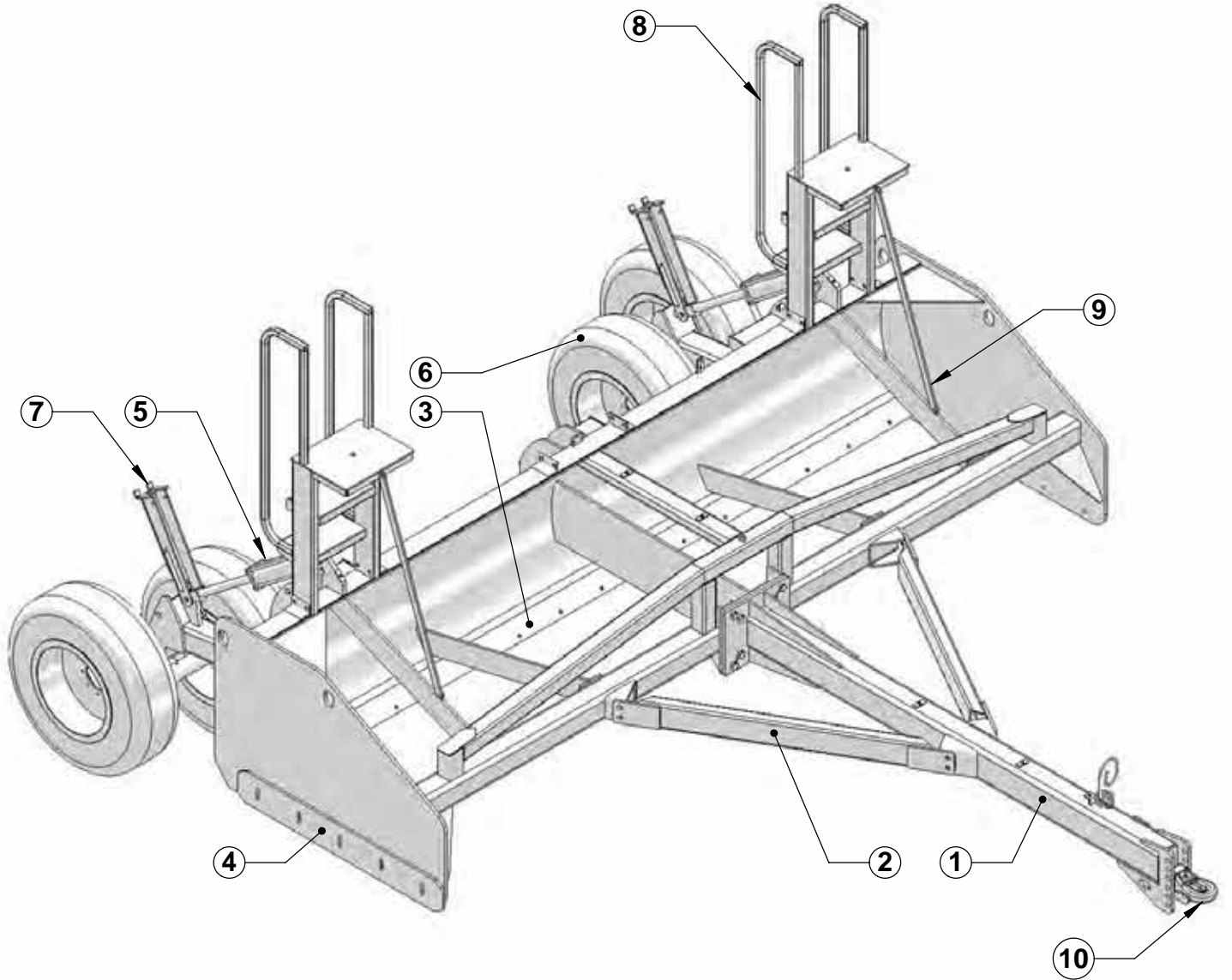


TRANSPORT OPTION ASSEMBLY:

1. Using hoist, install transport wheel axle on top of the main bucket with jog facing direction in which machine will be pulled.
2. Connect transport wheel axle and main frame pivot points on each side of the bucket using 2" pivot pins with 3/8" x 3" NC cap screws, lock washers and hex nuts . See illustration on page 19 for proper installations.
3. Install (2) 4" x 20" tie rod hydraulic cylinders on the main bucket. Connect cap ends of the cylinders (bottom ends) to the cylinder anchors on the main bucket using cylinder pins with cotter pins.
4. Connect rod ends of the hydraulic cylinders to the flip lockout bars and wheel axle cylinder anchors using 1" x 5-1/2" Gr.9 NC cap screws with nylon lock hex nuts (refer to page 19).
5. Mount highway tires to the removable spindles on the wheel axle. Tighten all bolts securely. Refer to page 20.
6. Mount transport tongue to the R.H. side of the main frame behind the bucket using 1" x 7" NC cap screw with nylon lock hex nut. See page 21 and 22 for detailed instructions.
7. Connect turnbuckle assembly to the transport tongue using 1" x 3-3/4" pin with 7/16" lynch pin. Mount other side of the turnbuckle to the main frame bucket using 1" x 4-1/2" NC cap screw with nylon lock hex nut. Refer to page 21 for details.
8. Adjust turnbuckle to the desired hitch height.

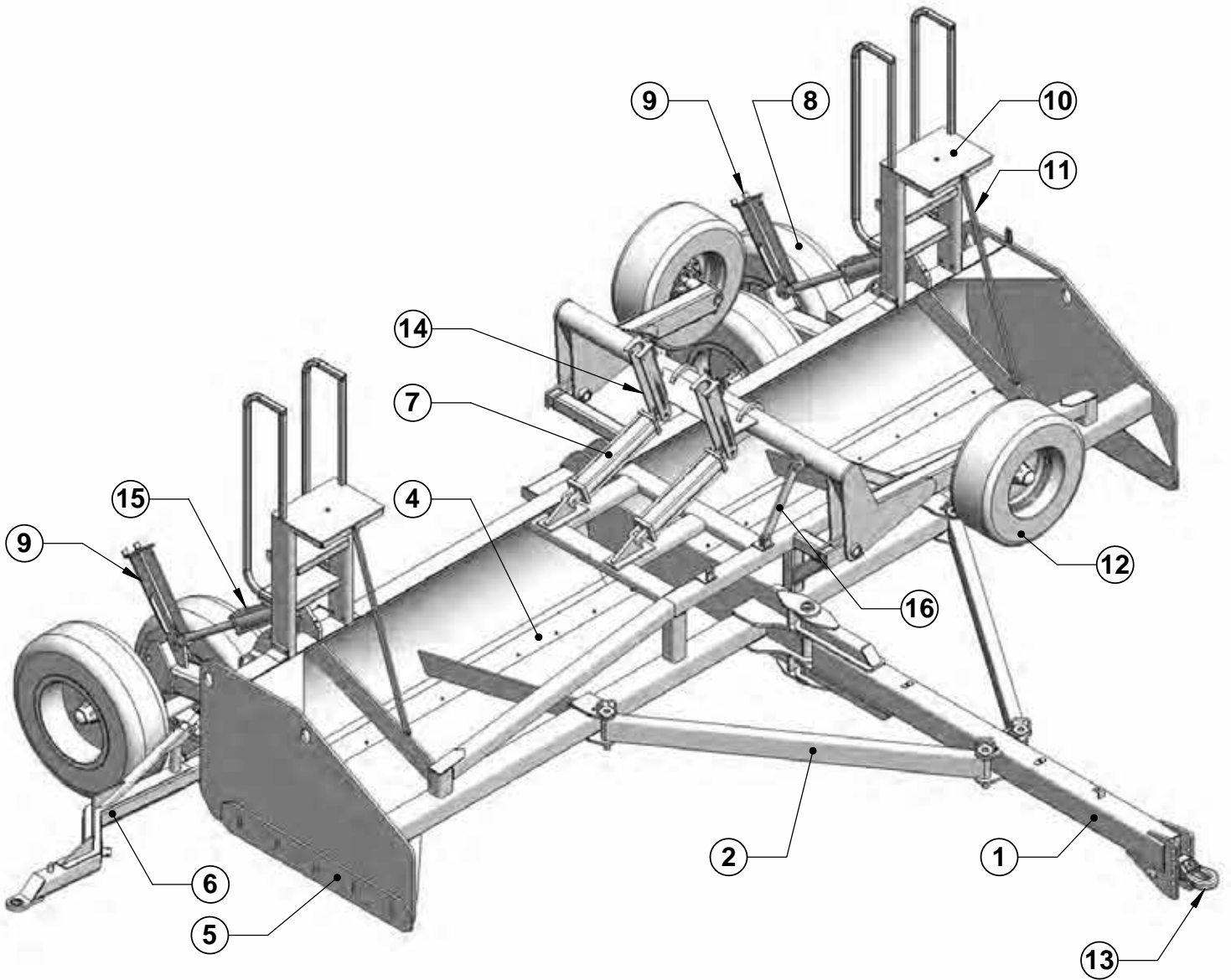


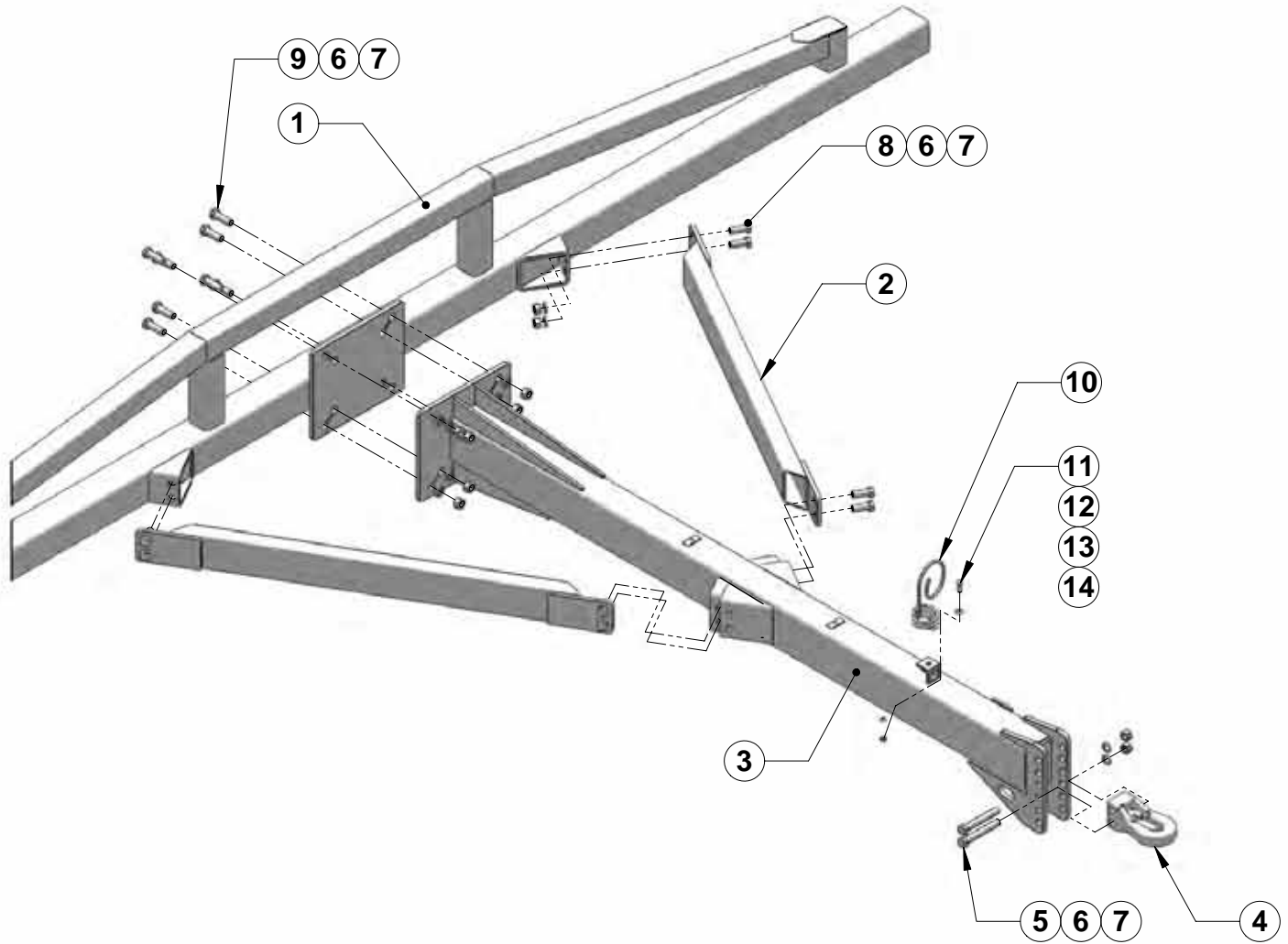
<u>Item No.</u>	<u>Part No.</u>	<u>Description</u>	<u>Qty./Machine</u>
1	SFS-00A200	Pull Frame	1
2	SFS-00A400	Pull Frame Brace	2
3	SFS-08A103	8' Scraper Blade	Varies
4	SFS-00A104	Adjustment Side Blade	2
5	GHC-40160T	4" x16" Hydraulic Cylinder	2
6	GWT-161610	16.5x16 10 Ply Tire w/ Whee (18' Units & Up)	4
	GWT-131310	13.5X13 10 Ply Tire w/Wheel (16' Units & Under)	4
7	GWD-416LB2	4" x 16" Lockout Bar	2
8	SFS-00A600	Laser Tower	Varies
9	SFS-00A612	Tower Support Brace	Varies
10	GMB-HITCHCA4	Perfect Hitch Cat. 4	1
	PFS-SWH	Swivel Hitch (Optional)	1



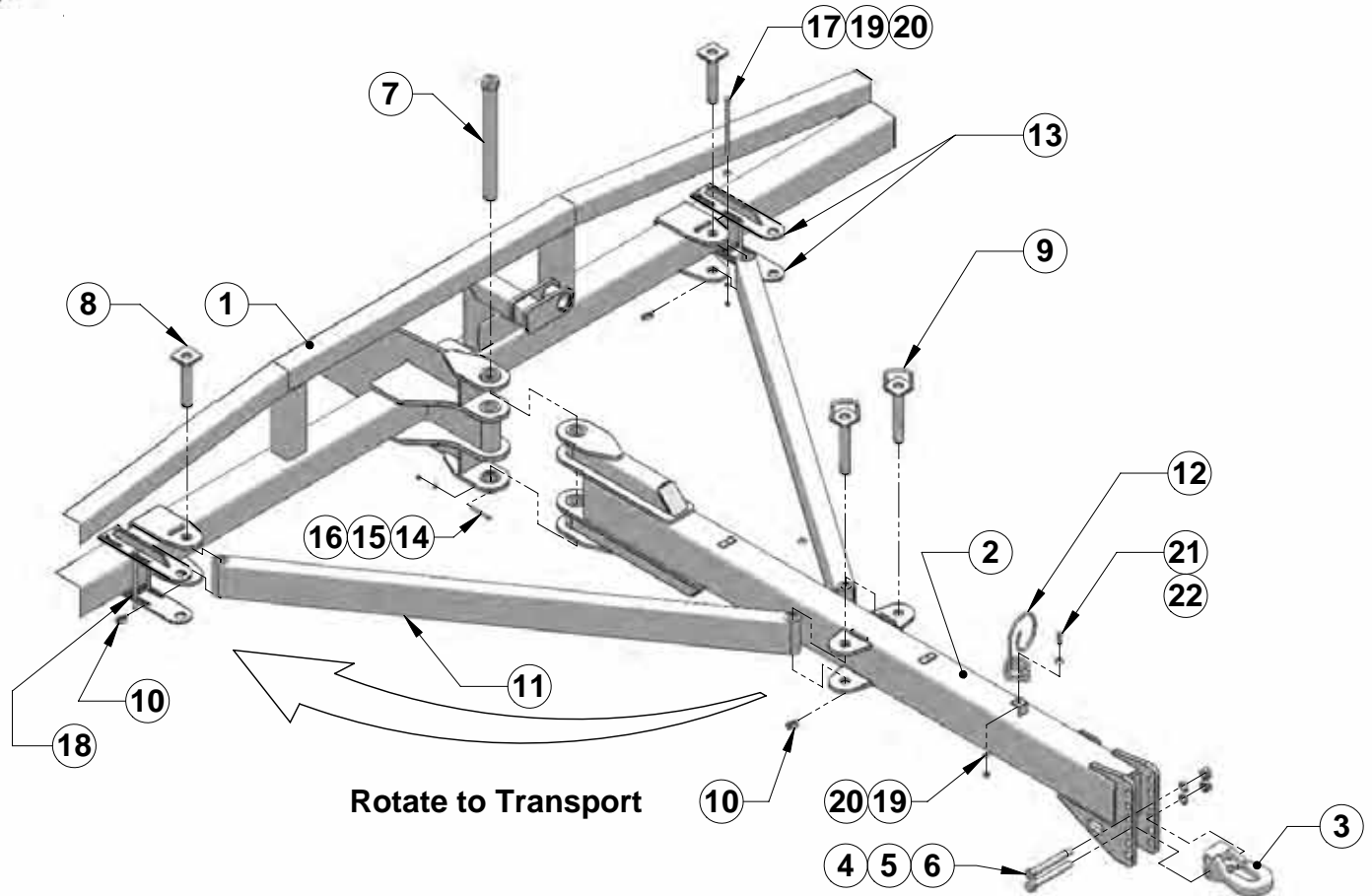


<u>Item No.</u>	<u>Part No.</u>	<u>Description</u>	<u>Qty./Machine</u>
1	SFS-00B200	Pull Frame	1
2	SFS-00B400	Pull Frame Brace	2
3	SFS-00B119	Pull Frame Support	4
4	SFS-08A103	8' Scraper Blade	Varies
5	SFS-00A104	Adjustment Side Blade	2
6	SFS-00B700	Transport Tongue	1
7	GHC-40200T	4" x 20" Hydraulic Cylinder	2
8	GWT-161610	16.5 X 16 10 Ply Tire W/Wheel (18' units & up)	4
	GWT-131310	13.5 x 13 10 Ply Tire w/Wheel (16' units & under)	4
9	GWD-416LB2	4" x 16" Lockout Bar	2
10	SFS-00A600	Laser Tower	Varies
11	SFS-00A612	Tower Support Brace	Varies
12	GWT-75R16	215-75R Highway Tire	2
13	GMB-HITCHCA4	Perfect Hitch Cat. 4	1
	PFS-SWH (Optional)	Swivel Hitch	1
14	GWD-420LB1	4" x 20" Lockout Bar	2
15	GHC-40160T	4" x 16" Hydraulic Cylinder	2
16	SGB-00F300	Wheel Axle Lockout Weldment	1





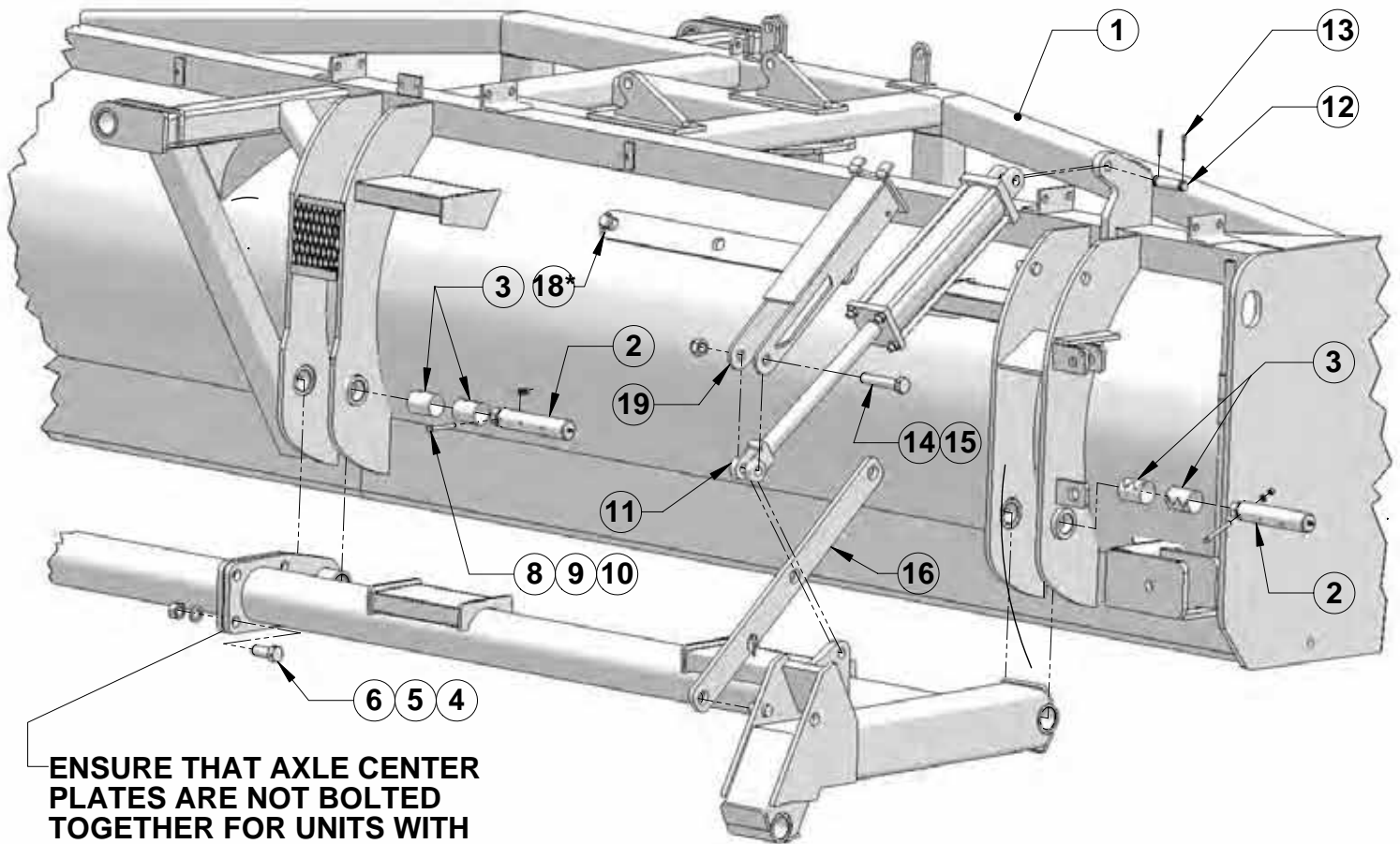
<u>Ref No.</u>	<u>Part No.</u>	<u>Description</u>	<u>Qty.</u>
1	SFS-00A100	Main Frame	1
2	SFS-00A400	Pull Frame Brace Weldment	1
3	SFS-00A200	Rigid Pull Frame Weldment	1
4	GMB-HITCHCA4	Perfect Hitch Cat IV	1
5	CSNC516112	1" x 7" NC Cap Screw	2
6	LWASHER-16	1" Lock Washer	18
7	HXNUT-16NC	1" NC Hex Nut	18
8	CSNC516040	1" x 2-1/2" NC Cap Screw	8
9	CSNC516048	1" x 3" NC Cap Scew	8
10	91798A	Hose Holder (Short)	1
11	CSNC508024	1/2" x 1-1/2" NC Cap Screw	1
12	FWASHER-08	1/2" Flat Washer	1
13	LWASHER-08	1/2" Lock Washer	1
14	HXNUT-08NC	1/2" NC Hex Nut	1



<u>Ref No.</u>	<u>Part No.</u>	<u>Description</u>	<u>Qty.</u>
1	SFS-00B100	Main Frame Weldment	1
2	SFS-00B200	Folding Pull Frame	1
3	GMB-HITCHCA4	Perfect Hitch Cat. IV	1
4	CSNC516112	1" x 7" NC Cap Screw	2
5	LWASHER-16	1" Lock Washer	2
6	HXNUT-16NC	1" NC Hex Nut	2
7	SFS-00B901	Pull Frame Hinge Pin	1
8	SFS-00B905	Main Frame-Brace Pivot Pin	2
9	SFS-00B902	Pull Frame-Brace Removable Locking Pin	2
10	GPN-070LYN	7/16" Lynch Pin	4
11	SFS-00B400	Folding Pull Frame Brace Weldment	2
12	91798A	Hose Holder (Short)	2
13	SFS-00B138	Pull Frame/Brace Support Weldment	4
14	CSNC506056	3/8" X 3-1/2" NC Cap Screw	1
15	LWASHER-06	3/8" Lock Washer	9
16	HXNUT-06NC	3/8" NC Hex Nut	9
17	CSNC508160	1/2" x 10" NC Cap Screw	8
18	SFS-00B143	Brace and Tongue Locking Spacer	5
19	LWASHER-08	1/2" Lock Washer	9
20	HXNUT-08NC	1/2" NC Hex Nut	9
21	CSNC508024	1/2" x 1-1/2" NC Cap Screw	1
22	FWASHER-08	1/2" Flat Washer	1

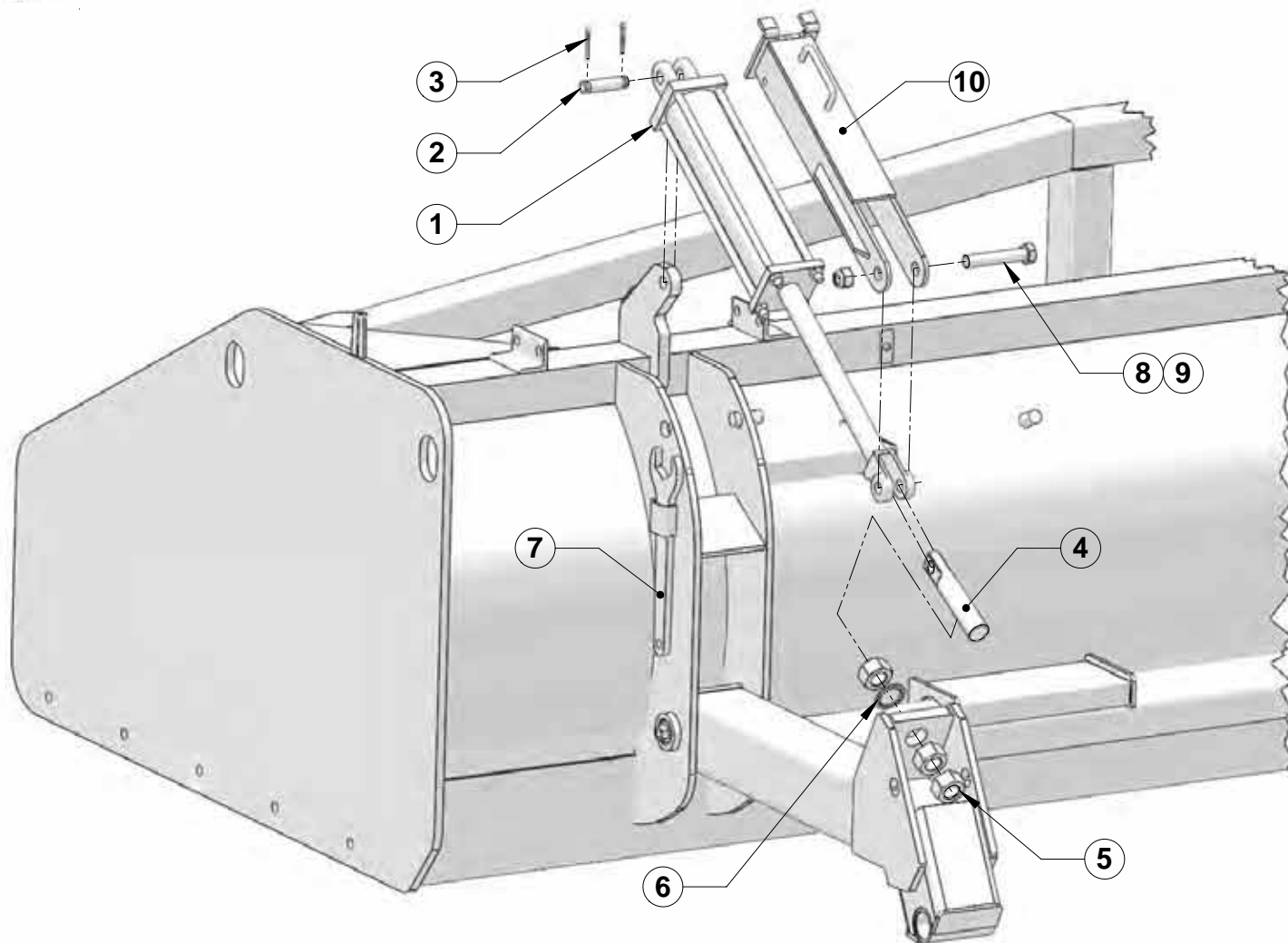


* PLACE SFS-00A703 & GPN-070LYN HERE WHEN MACHINE IN FIELD POSITION.

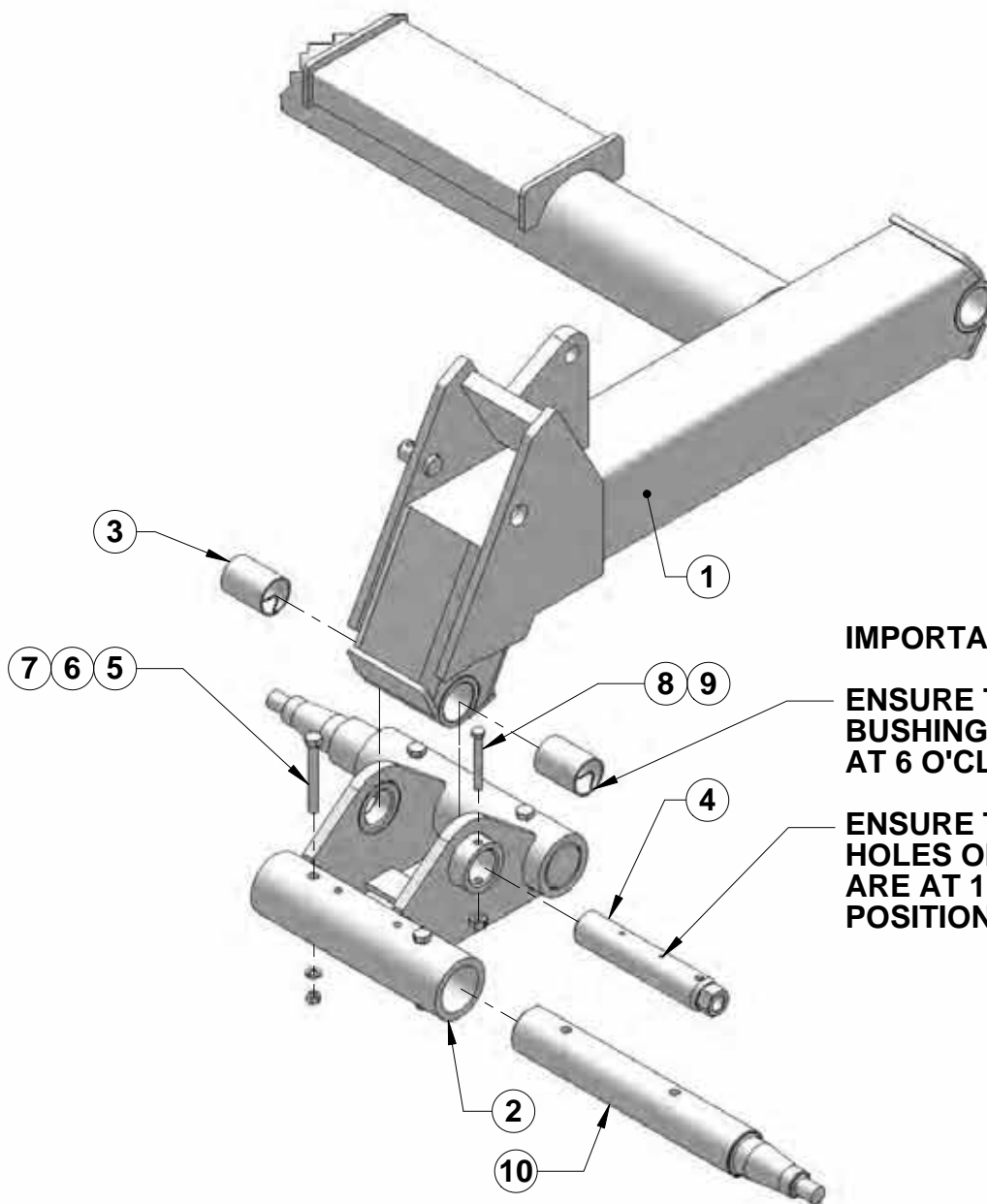


ENSURE THAT AXLE CENTER PLATES ARE NOT BOLTED TOGETHER FOR UNITS WITH TWO TOWERS!

<u>Ref No.</u>	<u>Part No.</u>	<u>Description</u>	<u>Qty.</u>
1	SFS-00B100	Main Frame Weldment	1
2	SFS-00B907WH	Walking Beam Pivot Pin	3
3	GBR-36X48TX	2-1/4" O.D. Tension Bushing	6
4	CSNC516040	1" x 3" N.C. Hex Bolt	4
5	LWASHER-16	1" Lock Washer	4
6	HXNUT-16NC	1" NC Hex Nut	4
7	SFS-00A300	Rear Wheel Axle Weldment (R.H. Shown)	1
8	CSNC506056	3/8" x 3-1/2" Cap Screw	3
9	LWASHER-06	3/8" Lock Washer	3
10	HXNUT-06NC	3/8" NC Hex Nut	3
11	GHC-40160T	4" x 16" Tie Rod Hyd. Cylinder	2
12	GPN-1664HC	1" x 4" Cylinder Pin	2
13	GPN-03CLIP	5/32" Hair Pin Clip	4
14	CSNC816088	1" x 5-1/2" Gr. 8 NC Cap Screw	2
15	NYNUT-16NC	1" NC Nylon Nut Hex Nut	2
16	SFS-00A703	W.A. Cylinder Lockout Plate	2
17	SFS-00A801	Cylinder Lockout Pin	2
18	GPN-070LYN	7/16" Lynch Pin	2
19	GWD-416LB2	Lockout Bar for 4" x 16" Hyd. Cylinder	2



<u>Ref No.</u>	<u>Part No.</u>	<u>Description</u>	<u>Qty. Per Machine</u>
1	GHC-40160T	4" x 16" Hyd. Cylinder	1
2	GPN-1664HC	1" x 4" Cylinder Pin	1
3	GPN-03CLIP	5/32" Hair Pin Clip	4
4	SFS-00A500	Wheel Leg Adjustment Bolt	2
5	HXNUTJ28NC	1-3/4" NC Hex Jam Nut	3
6	LWASHER-28S	1-3/4" Internal Star lock Washer	1
7	SFS-00A311	Adjustment Bolt Wrench	1
8	CSNC816088	1" X 5-1/2" Gr. 8 NC Cap Screw	2
9	NYNUT-16NC	1" NC Nylon Lock Hex Nut	2
10	GWD-416LB2	Lockout for 4" x 16" Hyd. Cylinder	2

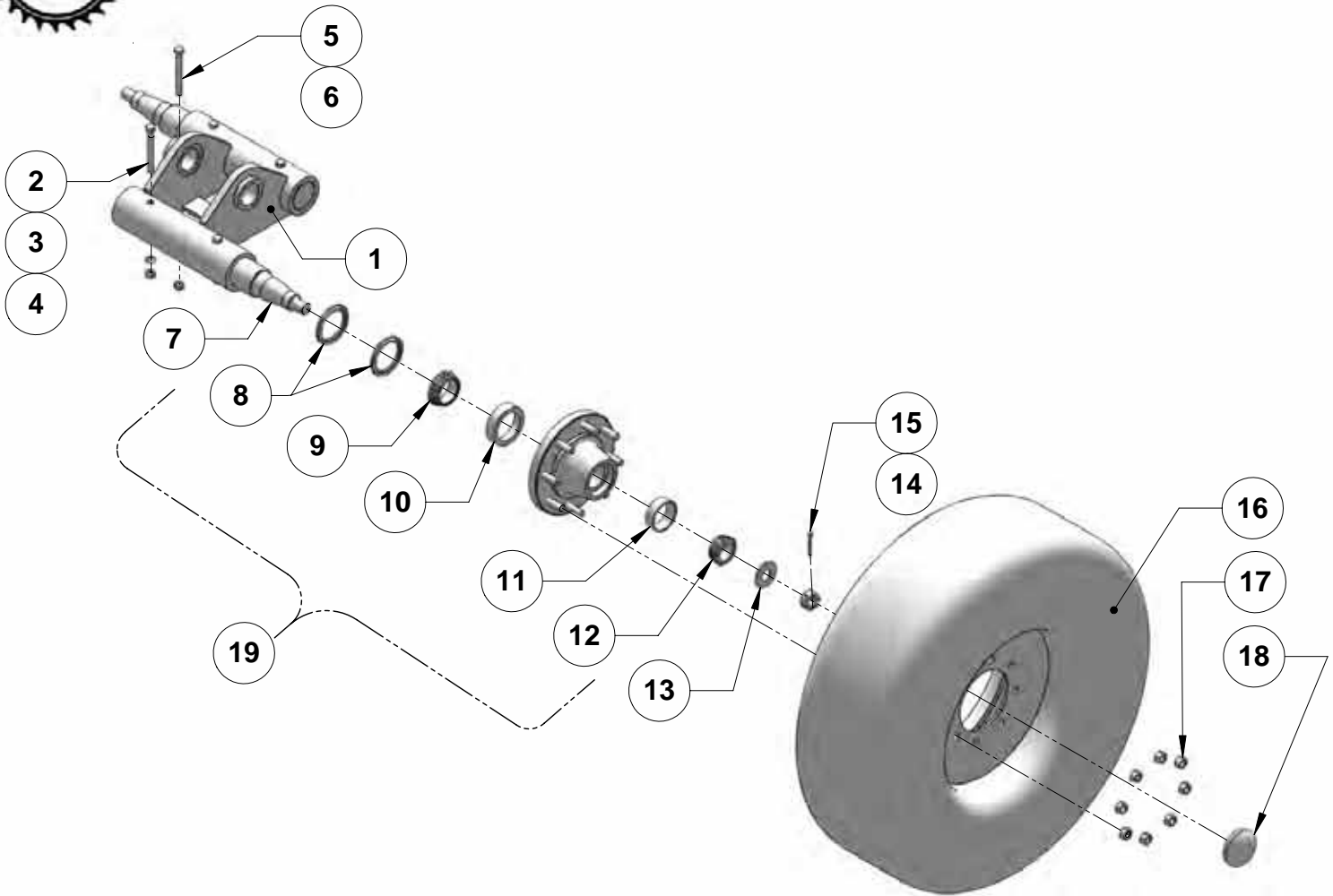


IMPORTANT *

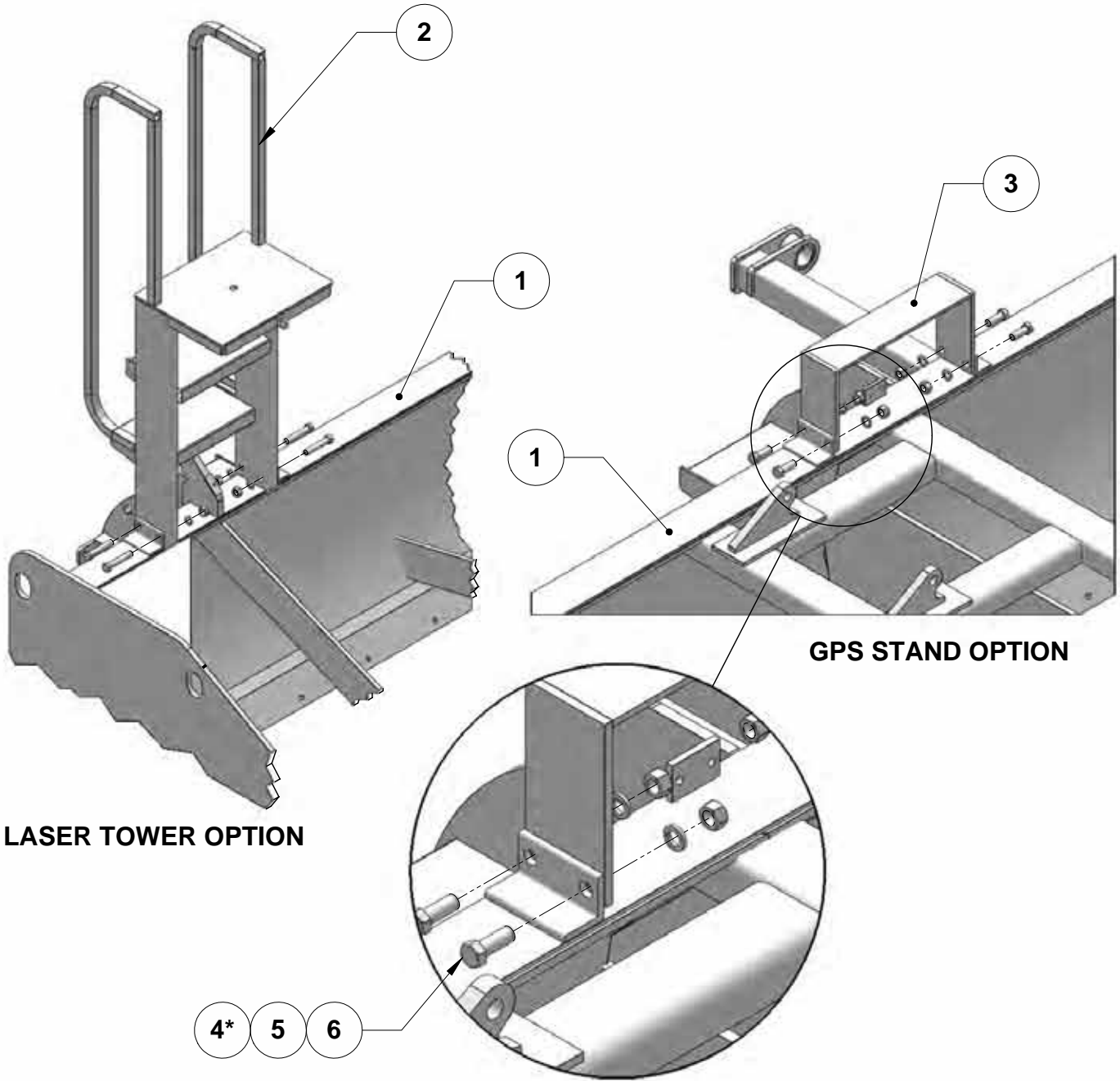
ENSURE THAT TENSION BUSHING SEAMS ARE AT 6 O'CLOCK POSITION.

ENSURE THAT GREASE HOLES ON PIVOT PINS ARE AT 12 O'CLOCK POSITION.

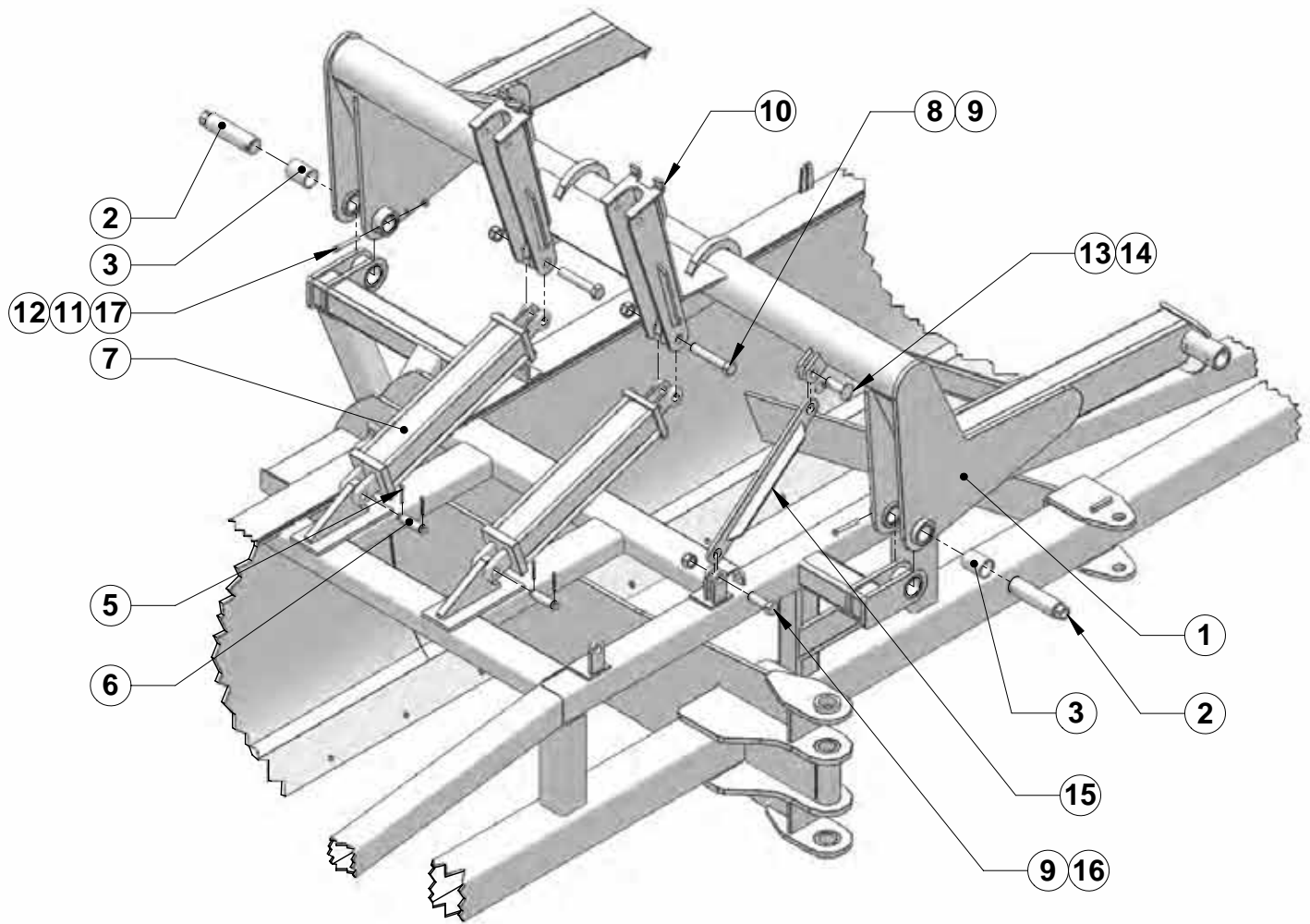
<u>Ref No.</u>	<u>Part No.</u>	<u>Description</u>	<u>Qty. Per Machine</u>
1	SFS-00A300	Wheel Axle Weldment (L.H. & R.H.)	1
2	SFS-00B800L	Walking Beam Weldment L.H	1
	SFS-00B800R	Walking Beam Weldment R.H. (Shown)	1
3	GBR-36X48TX	2-1/4" O.D. Tension Bushing	10
4	SFS-00B907WH	Walking Beam Pivot Pin Heat Treated	5
5	CSNC509072	9/16" x 4-1/2" NC Hex Bolt	8
6	LWASHER-09	9/16" Lock Washer	8
7	HXNUT-09NC	9/16" NC Hex Nut	8
8	CSNC507056	7/16" x 3-1/2" NC Hex Bolt	2
9	HXNUT-07NC	7/16" NC Hex Nut	2
10	SFS-00B600	2-3/4" Removable Spindle	4



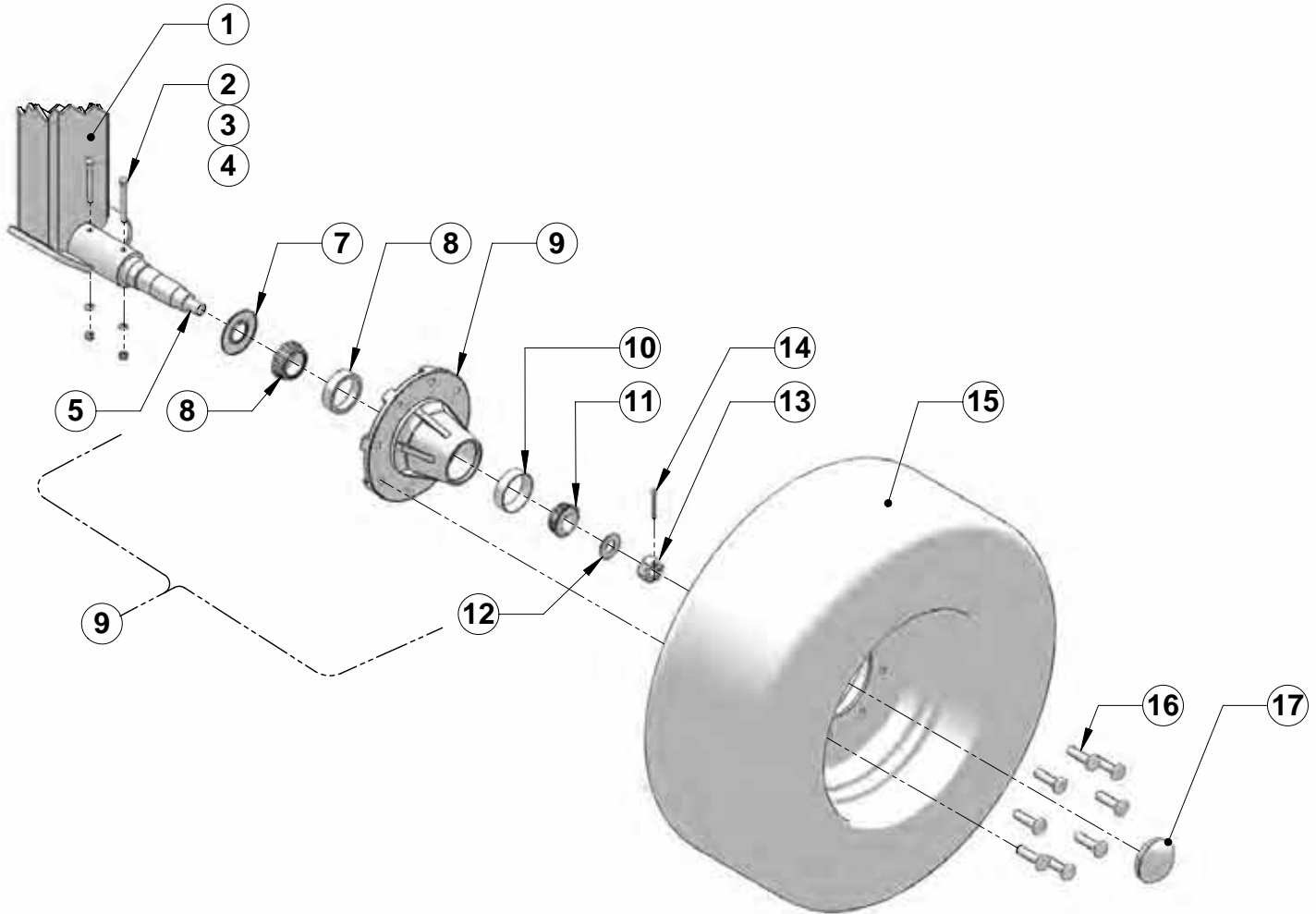
<u>Ref No.</u>	<u>Part No.</u>	<u>Description</u>	<u>Qty. Per Hub</u>
1.	SFS-00B800L SFS-00B800R	Walking Beam Weldment (Left) Walking Beam Weldment (Right)	1 1
2.	CSNC509072	9/16" x 4-1/2" NC Cap Screw	4
3.	LWASHER-09	9/16" Lock Washer	4
4.	HXNUT-09NC	9/16" Hex Nut	4
5.	CSNC507056	7/16" x 3-1/2" NC Cap Screw	1
6.	HXNUT-07NC	7/16" Hex Nut	1
7.	SFS-00B600	2-3/4" Removable Spindle	2
8.	GHB-8XXGSL	Grease Seal	2
9.	GHB-8XXICN	Inner Bearing Cone for 8 on 8 XHVV Hub	1
10.	GHB-8XXIRC	Inner Bearing Cup for 8 on 8 XHVV Hub	1
11.	GHB-8XXORC	Outer Bearing Cup for 8 on 8 XHVV Hub	1
12.	GHB-8XXOCN	Outer Bearing Cone for 8 on 8 XHVV Hub	1
13.	GSP-16SPWA	1" Dia. Spindle Flat Washer	1
14.	GSP-16CANT	1" Dia. Spindle Castle Nut	1
15.	GPN-03X32C	3/16" x 2" Cotter Pin	1
16.	GWT-131310	13.5 X 13 10 Ply Tire W/Wheel Assembly (16' Units & Smaller)	1
	GWT-161610	16.5 X 16 10 Ply Tire W/Wheel Assembly (18' Units & Larger)	1
17.	WHN-10NFWN	Hub Lug Nuts 5/8" NF for 8 on 8 XHVV Hub	8
18.	GHB-8XXCAP	Hub Cap	1
19.	GHB-8X8XHZ	8 on 8 XHVV Hub Ass'y w/ Bearings and 2 Grease Seals (Includes Items 8-12 & 18)	1



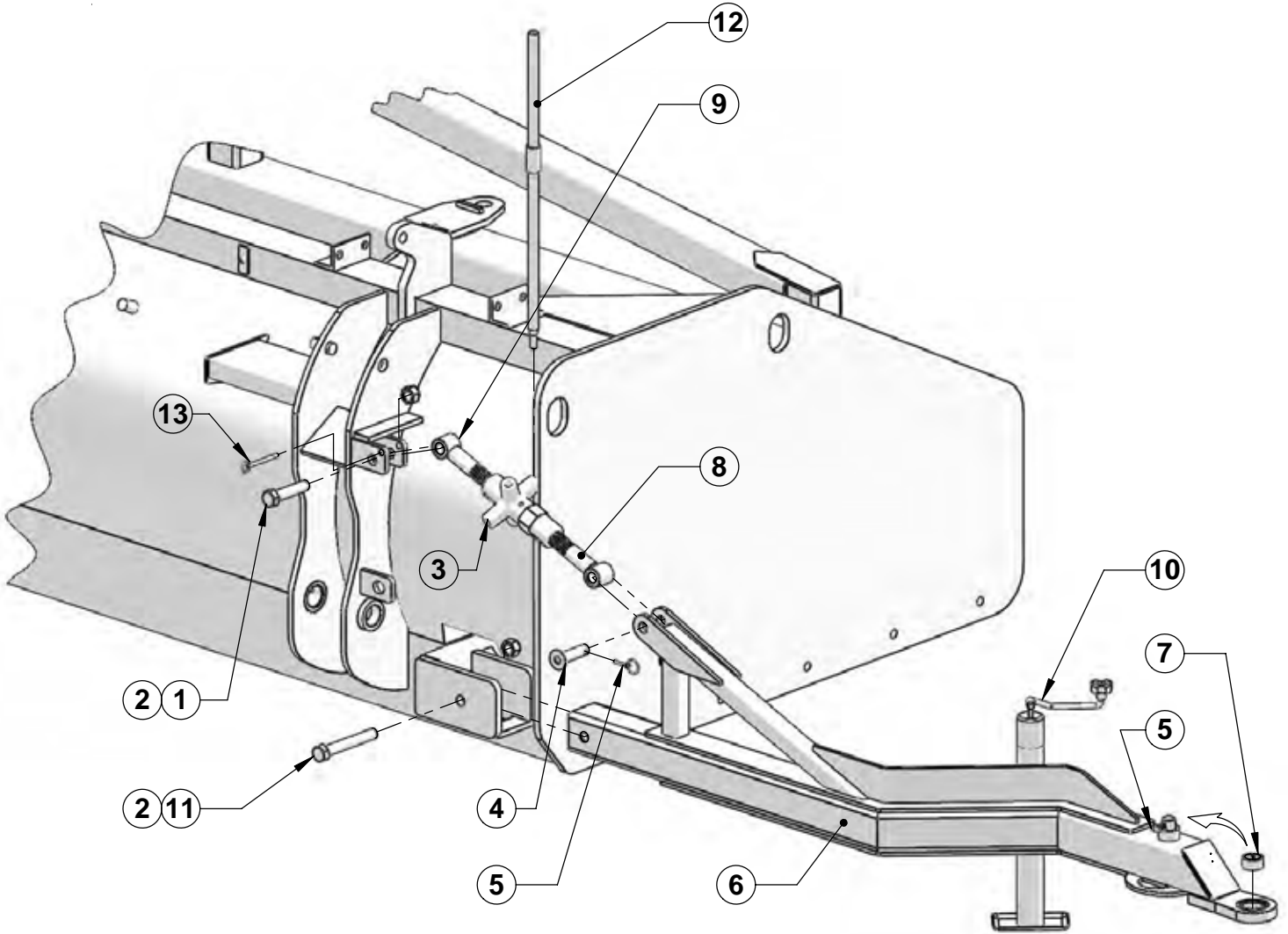
<u>Ref No.</u>	<u>Part No.</u>	<u>Description</u>	<u>Qty.</u>
1	SFS-00B100	Main Frame Weldment	1
2	SFS-00A600	Laser Tower Weldment	Varies
3	SFS-GPS	GPS Stand Weldment	Varies
*4	CSNC512064	3/4" x 4" NC Cap Screw (Laser Tower)	4 Per Tower
	CSNC512032	3/4" x 2" NC Cap Screw (GPS Tower)	4 Per Tower
5	LWASHER-16	3/4" Lock Washer	4 Per Tower
6	HXNUT-16NC	3/4" NC Hex Nut	4 Per Tower



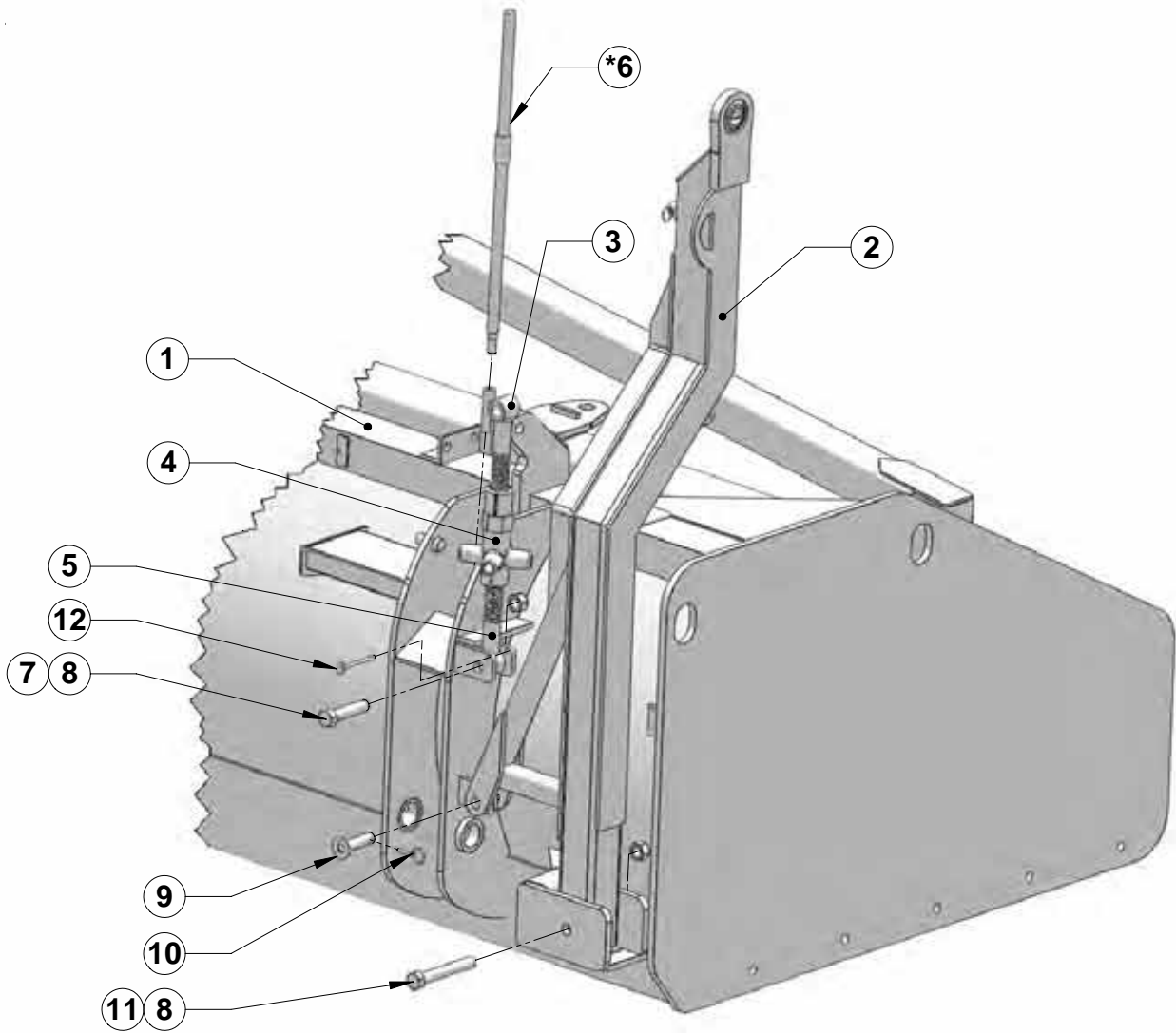
<u>Ref No.</u>	<u>Part No.</u>	<u>Description</u>	<u>Qty. Per Machine</u>
1	SFS-00B300	Transport Axle Weldment	1
2	SFS-00B316	Pivot Pin Weldment	2
3	GBR-3236G48	2-1/4" O.D. Self Lubricating Bushing	2
4	CSNC506056	3/8" x 3-1/2" NC Cap Screw	2
5	GPN-03CLIP	5/32" Hair Pin Clip	2
6	GPN-1664HC	1" X 4" Cylinder Pin	2
7	GHC-40200T	4" X 20" Tie Rod Hydraulic Cylinder	2
8	CSNC816088	1" x 5-1/2" Gr. 8 NC Cap Screw	2
9	NYNUT-16NC	1" NC Nylon Lock Hex Nut	2
10	GWD-420LB1	Lockout Bar for 4" x 20" Hyd. Cylinder	2
11	LWASHER-06	3/8" Lock Washer	4
12	HXNUT-06NC	3/8" NC Hex Nut	4
13	GPN-16X048	1" X 3" Clevis Pin	1
14	GPN-040LYN	1/4" Lynch Pin	1
15	SGB-00F300	Wheel Axle Lockout Weldment	1
16	CSNC516048	1" x 3" NC Cap Screw	1
17	CSNC506056	3/8" x 3-1/2" NC Cap Screw	2



<u>Ref No.</u>	<u>Part No.</u>	<u>Description</u>	<u>Qty. Per Machine</u>
1	SFS-00B300	Transport Wheel Axle Weldment	1
2	CSNC507056	7/16" x 3-1/2" NC Cap Screw	4
3	LWASHER-07	7/16" Lock Washer	4
4	HXNUT-07NC	7/16" NC Hex Nut	4
5	SFS-00B307	2-1/8" Removable Spindle	2
6	GHB-8X8GSL	Oil Shield For 8 On 8 Heavy Hub	2
7	GBH-8X8ICN	Inner Bearing Cone for 8 On 8 Hub	2
8	GBH-8X8IRC	Inner Race For 8 ON 8 Heavy Hub	2
9	GHB-8X8HVY	Hub, 8 On 8 Heavy Complete (Includes items 6-11 & 17)	2
10	GHB-8X8ORC	Outer Bearing Race For 8 On 8 Heavy Hub	2
11	GHB-8X8OCN	Outer Bearing Cone For 8 On 8 Heavy Hub	2
12	GSP-14SPWA	7/8" Flat Washer, Spindle	2
13	GSP-14CANT	7/8" Castle Nut, Spindle	2
14	GPN-04X40C	1/4" x 2-1/2" Cotter Pin	2
15	GWT-75R16	Highway Tire	2
16	WHB-09X018	Wheel Bolts for 8 on 8 Heavy Hub	16
17	GHB-8X8CAP	Dust Cap For 8 On 8 Heavy Hub	2

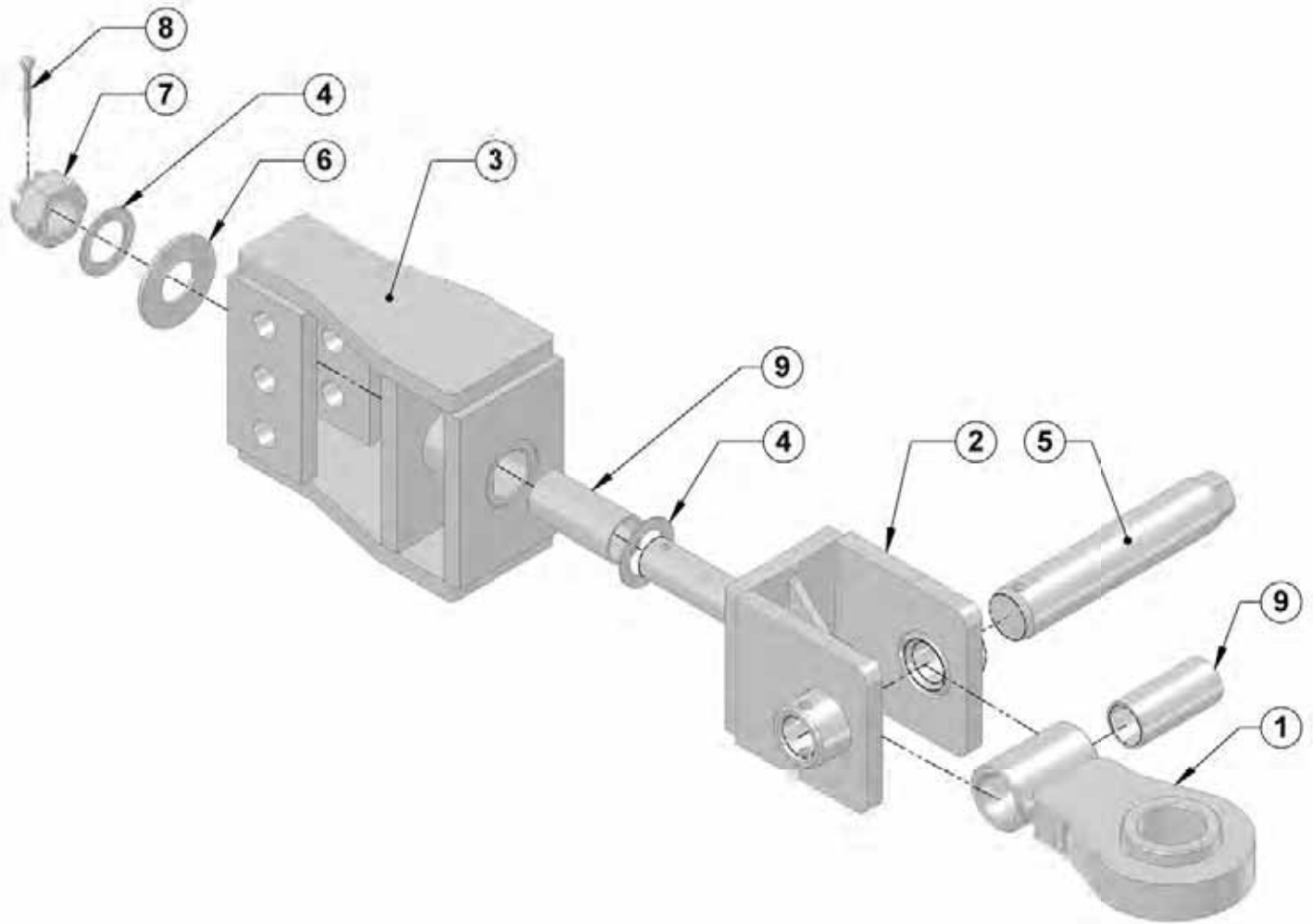


<u>Ref No.</u>	<u>Part No.</u>	<u>Description</u>	<u>Qty.</u>
1.	CSNC516072	1" x 4-1/2" NC Cap Screw	1
2.	NYNUT-16NC	1" NC Nylon lock Nut	2
3.	GTB-00A002	1-1/2" ACME Turnbuckle Body	1
4.	SFS-00B726	1" x 3-3/4" Pin	1
5.	GPN-070LYN	7/16" Lynch Pin	2
6.	SFS-00B700	Transport Tongue Weldment	1
7.	GBH-32X32T	2" O.D. Tension Bushing	.5
8.	SFS-00B724	Bottom Turnbuckle Rod Weldment R.H.	1
9.	SFS-00B725	Top Turnbuckle Rod Weldment L.H.	1
10.	GJK-5KTW15	5000# Cap Jack Stand	1
11.	CSNC516112	1" x 7" NC Cap Screw	1
12.	SFS-00B729	Turnbuckle Adjustment Rod	1
13.	GPN-0856SL	1/2" x 3-1/2" Hitch Pin	1

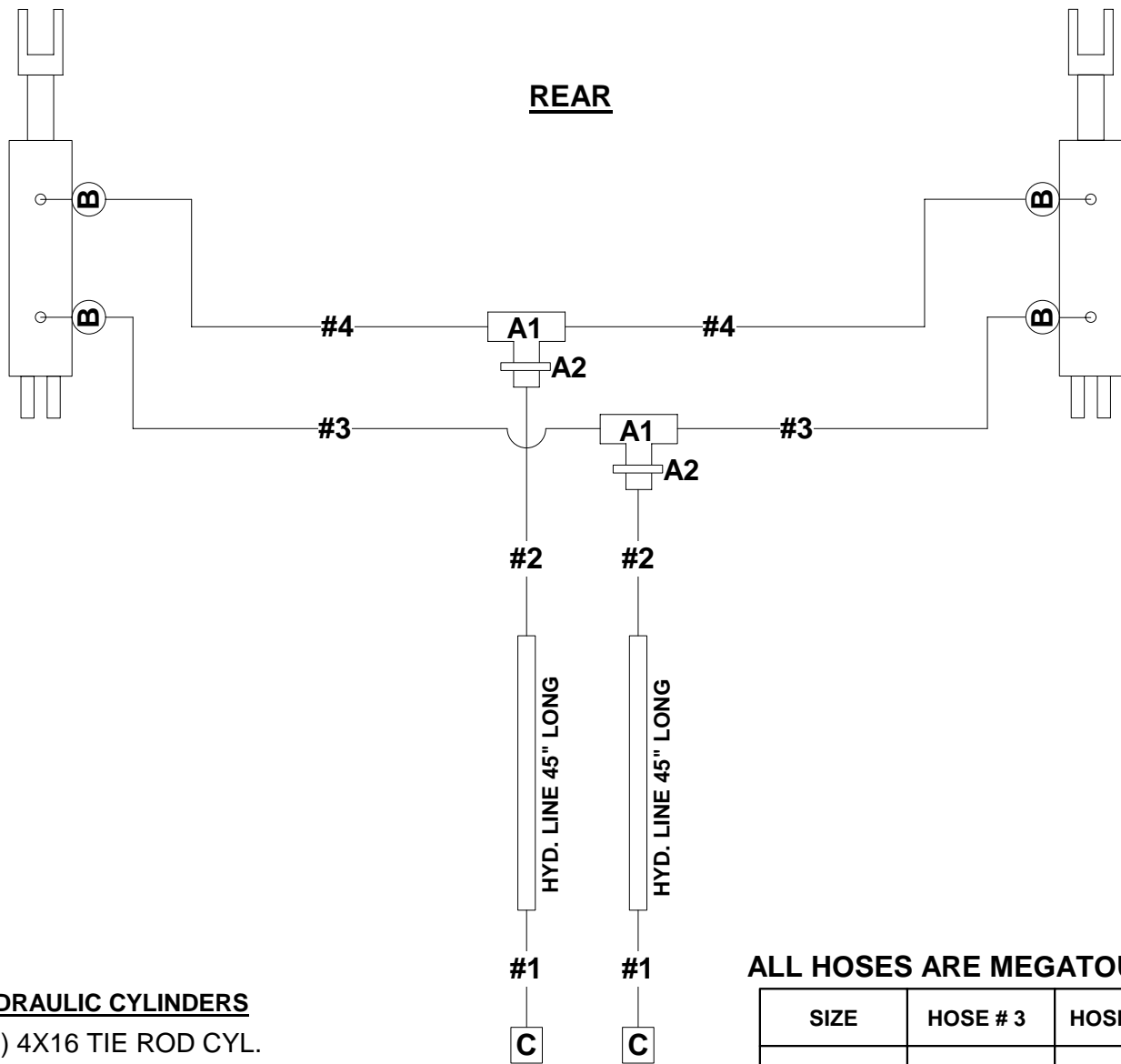


<u>Ref No.</u>	<u>Part No.</u>	<u>Description</u>	<u>Qty.</u>
1	SFS-00B100	Main Frame Weldment	1
2	SFS-00B700	Transport Tounge Weldment	1
3	SFS-00B724	Bottom Turnbuckle Rod Weldment R.H.	1
4	GTB-00A002	1-1/2" ACME Turnbuckle Body	1
5	SFS-00B725	Top Turnbuckle Rod Weldment L.H.	1
6	SFS-00B728	Turnbuckle Adjustment Rod	1
7	CSNC516072	1" x 5" NC Cap Screw	1
8	NYNUT-16NC	1" NC Nylon Lock Nut	2
9	SFS-00B726	1" x 3-3/4" Pin	1
10	GPN-070LYN	7/16" Lynch Pin	1
11	CSNC516112	1" x 7" NC Cap Screw	1
12	GPN-0856SL	1/2" X 3-1/2" Hitch Pin with Handle	1

***NOTE: ENSURE TURNBUCKLE ADJUSTMENT ROD IS PLACED INSIDE OF TURNBUCKLE BODY TO PREVENT TURNBUCKLE ROD FROM ROTATING OUT WHEN IN FIELD POSITION.**



<u>Ref No.</u>	<u>Part No.</u>	<u>Description</u>	<u>Qty.</u>
1	SFS-00C100	Hitch Plate Weldment	1
2	SFS-00C200	Swivel Hitch Fork Weldment	1
3	SFS-00C300	Swivel Hitch Mount Weldment	1
4	GBR-2440G01	1.6" I.D. Thrust Washer	2
5	FTB4-00M206	Hinge Pin	1
6	FWASHER-24	1-1/2" Flat Washer	1
7	CANUT-24NF	1-1/2" NF Castle Nut	1
8	GPN-04X40C	1/4" x 2-1/2" Cotter Pin	1
9	GBR-2428G60	1-1/2" ID Self-Lubricating Bushing	2
	PFS-SWH	Swivel Hitch Assembly (Includes All Above Items)	



HYDRAULIC CYLINDERS

(2) 4X16 TIE ROD CYL.

HOSES

- #1 - 8MP-8MJ 100" LONG
- #2 - 8MJ-8FJX 100" LONG
- #3 - SEE TABLE
- #4 - SEE TABLE

REQ'D

- (2)
- (2)
- (2)
- (2)

FITTINGS

- A1 - 1/2" MJHT TEE FITTING
- A2 - 1/2" HN-8 LOCK NUT
- B - 8MB-8MJ90° ELBOW
- C - 1/2" PIONEER TIP

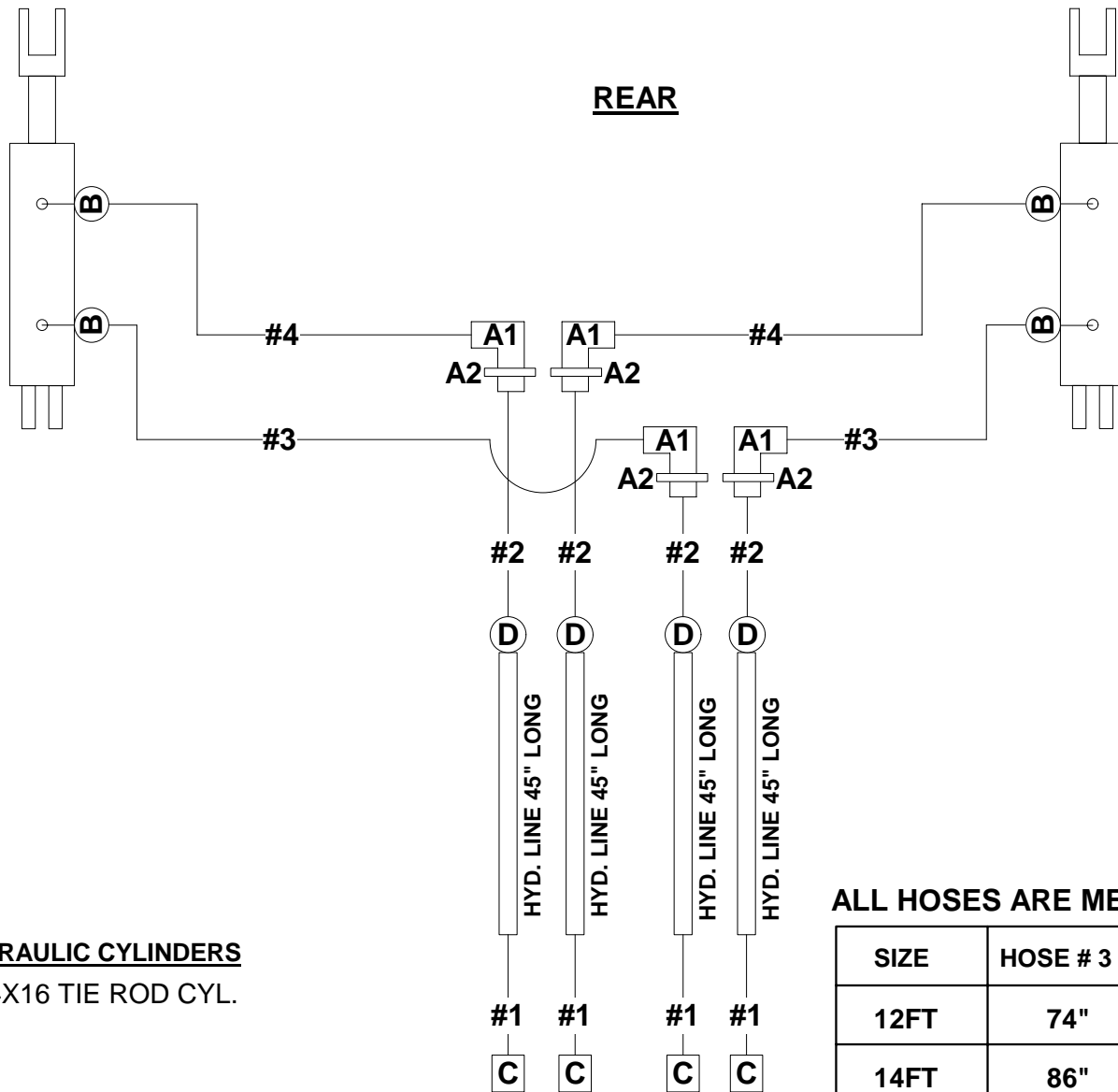
REQ'D

- (2) - ON MANIFOLD
- (2) - ON MANIFOLD
- (4)
- (2)

ALL HOSES ARE MEGATOUGH!

SIZE	HOSE # 3	HOSE # 4
12FT	74"	90"
14FT	86"	102"
16FT	98"	114"
18FT	110"	126"
20FT	122"	138"
22FT	134"	150"
24FT	146"	162"

NOTE: HOSES #3 AND #4 ARE 8FJX-8FJX



HYDRAULIC CYLINDERS

(2) 4X16 TIE ROD CYL.

HOSES

- #1 - 8MP-8MJ 100" LONG
- #2 - 8MJ-8FJX 100" LONG
- #3 - SEE TABLE
- #4 - SEE TABLE

REQ'D

- (4)
- (4)
- (2)
- (2)

FITTINGS

- A1 - MJ-MJH 90 8-8 BULKHEAD
- A2 - 1/2" HN-8 LOCK NUT
- B - 8MB-8MJ 90° ELBOW
- C - 1/2" PIONEER TIP
- D - 1/2" MJ-FJX 90 8-8 ELBOW

REQ'D

- (4) - ON MANIFOLD
- (4) - ON MANIFOLD
- (4)
- (2)
- (4)

ALL HOSES ARE MEGATOUGH!

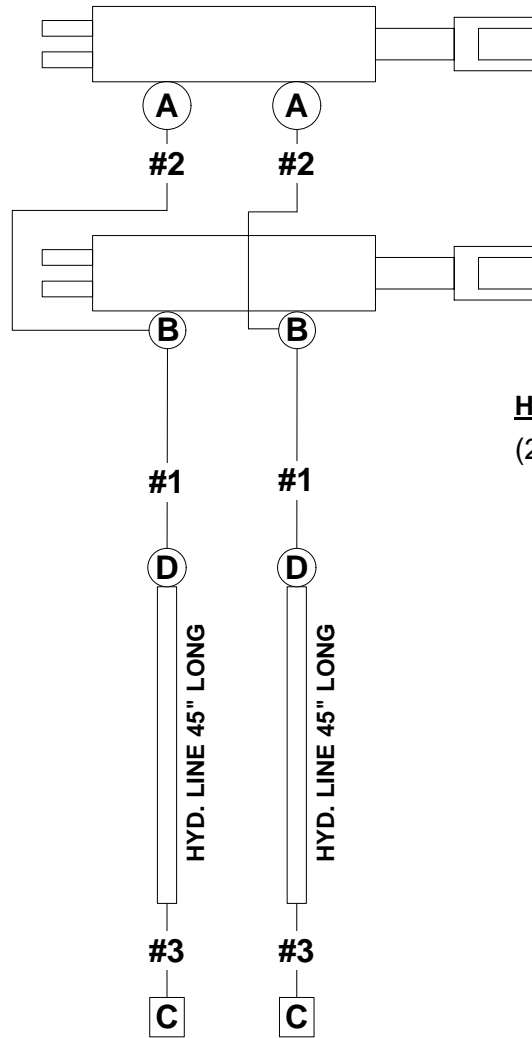
SIZE	HOSE # 3	HOSE # 4
12FT	74"	90"
14FT	86"	102"
16FT	98"	114"
18FT	110"	126"
20FT	122"	138"
22FT	134"	150"
24FT	146"	162"

NOTE: HOSES #3 AND #4 ARE 8FJX-8FJX

NOTE: FITTING "D" ON THE TONGUE IS FOR FOLDING UNITS ONLY



REAR OF THE MACHINE



TRANSPORT WHEEL AXLE

HYDRAULIC CYLINDERS

(2) 4X20 TIE ROD CYL.

FRONT

HOSES

- #1 - 8FJX-8FJX 75" LONG
- #2 - 8FJX-8FJX 27" LONG
- #3 - 8MP-8MJ 180" LONG

REQ'D

- (2)
- (2)
- (2)

FITTINGS

- A - 8MB-8MJ 90° ELBOW 3000# CAP.
- B - MJ-MJ-MBT-8 TEE
- C - 1/2" PIONEER TIP
- D - 8MJ-8MJ 90° ELBOW

REQ'

- (2)
- (2)
- (2)
- (2)

T.G. SCHMEISER CO., INC.®

Limited Warranty Statement

T. G. Schmeiser Co., Inc. warrants each new Schmeiser® product to be free from defects in material and workmanship. This warranty is applicable only for the normal service life expectancy of the product or components, not to exceed twelve (12) consecutive months from the date of delivery of the new Schmeiser product to the original purchaser.

Genuine T. G. Schmeiser Co., Inc. replacement parts and components will be warranted for 90 days from date of purchase, or the remainder of the original equipment warranty period, whichever is longer.

Under no circumstances will it cover any merchandise or components thereof, which, in the opinion of the company, has been subjected to misuse, unauthorized modifications, alteration, an accident or if repairs have been made with parts other than those obtainable through T. G. Schmeiser Co., Inc.

The Company in no way warrants engines, batteries, cylinders, tires or other trade accessories since these items are warranted separately by their respective manufacturer. Expendable components such as points, shanks, blades, rings, bearings, teeth, and the like are excluded from this warranty.

Our obligation under this warranty shall be limited to repairing or replacing, free of charge to the original purchaser, any part that, in our judgment, shall show evidence of such defect, provided further that such part shall be returned within thirty (30) days from date of failure to T. G. Schmeiser Co., Inc., routed through the dealer and distributor from whom the purchase was made, transportation charges prepaid.

This warranty shall not be interpreted to render T. G. Schmeiser Co., Inc. liable for injury or damages of any kind or nature to person or property. This warranty does not extend to the loss of crops, loss because of delay in harvesting, or any expense or loss incurred for labor, substitute machinery, rental or for any other reason.

Except as set forth above, **T. G. Schmeiser Co., Inc. shall have no obligation or liability of any kind on account of any of its equipment and shall not be liable for special or consequential damages. T. G. Schmeiser Co., Inc. makes no other warranty, expressed or implied, and, specifically, T. G. Schmeiser Co., Inc. disclaims any implied warranty or merchantability or fitness for a particular purpose. Some states or provinces do not permit limitations or exclusions of implied warranties or incidental or consequential damages, so the limitations or exclusion in this warranty may not apply.**

This warranty is subject to any existing conditions of supply, which may directly affect our ability to obtain materials or manufacture replacement parts.

T. G. Schmeiser Co., Inc. reserves the right to make improvements in design or changes in specifications at any time, without incurring any obligation to owners of units previously sold.

No one is authorized to alter, modify or enlarge this warranty nor the exclusion, limitations and reservations.

**WARRANTY VOID IF NOT REGISTERED
WITHIN 30 DAYS OF PURCHASE DATE**

**Schmeiser Finishing Scraper
Maintenance & Repair Record**

Date of Service	Service or Repair Performed	Parts Replaced