

SCHMEISER BIN TRAILER

NARROW



STANDARD



**WITH FENDERS
AND PLATFORMS**



T. G. SCHMEISER Co., Inc.

OPERATION AND PARTS MANUAL

**Version 1.2
July 2022**

Read and understand the manual. This manual provides information and procedures to safely operate and maintain the Schmeiser Bin Trailer





CONTENTS

INTRODUCTION.....	4	ASSEMBLY AND OPERATION.....	15
Engineered for Long Life.....	4	Attaching to Pulling Vehicle.....	15
Serial Number Information.....	4	Initial Setup Checklist.....	15
Replacement Parts.....	4	Implement Break-In.....	16
Warranty Information.....	4	Operation Instructions.....	16
Serial Number Location.....	4	Detaching from Pulling Vehicle.....	16
Factory Contact Information.....	4	Features and Options.....	16
Dealer Contact Information.....	4	Rear Adjustable Bin Stop.....	16
SPECIFICATIONS.....	5	Transition Ramps.....	16
FEATURES.....	5	Platforms and Fenders.....	17
OPTIONS.....	5	MAINTENANCE.....	17
SAFETY.....	6	Lubrication Points.....	17
Safety Alert Symbols.....	6	Pull Frame Hinges.....	17
Safety Icons Nomenclature.....	7	Wheel Hub Bearings.....	17
Personal Protection/Important Information..	7	Service Items.....	17
Prohibited Actions.....	7	Tires.....	17
Hazard Avoidance.....	7	Rollers.....	18
General Safety.....	8	Maintenance Schedule.....	18
Assembly Safety.....	8	STORAGE.....	19
Towing Safety.....	9	Storage Preparation.....	19
Safety Chain.....	9	Placing in storage.....	19
Operation Safety.....	10	Removing From Storage.....	19
Tractor Requirements.....	10	Disposal of Equipment at End of Useful Life..	19
Tractor Safety Devices.....	11	PARTS SECTION.....	20
ROPS and Seat Belt.....	11	Ordering Parts.....	20
Attaching to Tractor.....	11	Parts Drawings.....	20
Prior to Connecting Unit.....	11	2-Bin Narrow with Transition Ramps.....	20
Connecting to the Tractor.....	11	Narrow models with Adjustable Stops.....	21
Maintenance Safety.....	12	Standard models with Adjustable Stops.....	22
Tire Safety.....	12	Standard models with Platforms and	
Bolt Torque Requirements.....	12	Fenders.....	23
Tire and Lug Torque Specifications.....	13	Tire and Wheel Hub Ass'y (Standard).....	24
Welding Repairs.....	13	Tire and Wheel Hub Ass'y (Narrow).....	25
Storage Safety.....	13	Bin Trailer Roller Assembly.....	26
SAFETY SIGNS AND DECALS.....	14	LIMITED WARRANTY STATEMENT.....	27
Safety Sign and Decals Placement.....	14		
Safety Signs and Decals.....	15		

INTRODUCTION

Your Schmeiser Bin Trailer is designed to provide many years of dependable service. This manual has been prepared to instruct the user in the safe and efficient operation of this implement. Read and understand the manual thoroughly and follow all instructions carefully.

Engineered for Long Life

Our products are engineered to work in conjunction with other farm implements to help save time and money.

Serial Number Information

Record the serial number, model number, and date purchased in the space provided in the Serial Number Location section. Be sure to have this information whenever contacting the dealer to order parts or attachments for this implement.

Replacement Parts

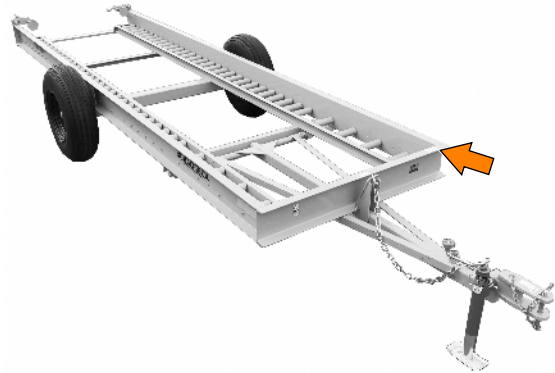
Should this implement require replacement parts, contact your local Schmeiser dealer. Always order genuine Schmeiser OEM replacement parts.

Warranty Information

It is important that the Warranty Card be completed and sent to Schmeiser. The warranty will not be valid until the information is on-file at Schmeiser. If information not contained in this manual is needed, contact your Schmeiser dealer.

Thank you for buying a Schmeiser Bin Trailer

Serial Number Location



Serial No. _____
Model No. _____
Purchase Date _____
Dealer Name _____

Factory Contact Information

For questions not answered in this manual, if additional copies are required, or the manual is damaged, please contact your local dealer or:

T. G. Schmeiser Co., Inc.
P.O. Box 1392
Selma, CA 93662

Phone: (559) 268-8128
Fax: (559) 268-3279
E-mail: sales@tgschmeiser.com
Web: www.tgschmeiser.com

Additional copies of this manual can also be downloaded at www.tgschmeiser.com.

Dealer Contact Information

For replacement decals, questions, or to order parts, contact your dealer:





SPECIFICATIONS

ITEM NUMBER	DESCRIPTION	OVERALL WIDTH	FRAME LENGTH	WEIGHT
HBT2N	2-Bin Capacity Narrow	4' - 6"	8'	675 lbs
HBT2NR	2-Bin Cap. Narrow w / Transition Ramps	4' - 6"	8'	670 lbs
HBT3N	3-Bin Capacity Narrow	4' - 6"	12'	900 lbs
HBT4N	4-Bin Capacity Narrow	4' - 6"	16'	1100 lbs
HBT2S	2-Bin Capacity Standard	6' - 2"	8'	790 lbs
HBT3S	3-Bin Capacity Standard	6' - 2"	12'	1010 lbs
HBT4S	4-Bin Capacity Standard	6' - 3"	16'	1240 lbs

STANDARD FEATURES

- Removable spindles on all models.
- Self-locking Pull Frame Latch
- Spring loaded rear Adjustable Bin Stops
- Jack Stand 2000 lbs. Capacity

NARROW MODEL FEATURES

- Stackable Frames for easy and economical shipping.

STANDARD MODEL FEATURES

- Raised Hitch Pull Frame

OPTIONS

- Transition Ramps (available on 2-Bin Narrow models).
- Fenders and Platforms Kit (available on Standard models only).
- Fenders Kit (available on Standard models)

SAFETY

Carefully read and follow all safety precautions before operation. There are obvious and hidden potential hazards involved in the operation of this implement. Serious injury or death may occur unless care is taken to ensure the safety of both the operator and any other persons in the area. Avoid potential danger by taking extra time for thought and a more careful approach to the use of this implement.

Most work related accidents are caused by failure to observe basic safety rules or precautions. An accident can often be avoided by recognizing potentially hazardous situations before an accident occurs. As you assemble, operate, or maintain the unit, you must be alert to potential hazards. You should also have the necessary training, skills, and tools to perform any assembly or maintenance procedures.

Improper operation and maintenance of this unit could result in a dangerous situation that could cause injury or death. T.G. Schmeiser cannot anticipate every possible circumstance that might involve a potential hazard. The warnings in this manual and on the product are, therefore, not all-inclusive. If a method of operation not specifically recommended by us is used, you must satisfy yourself that it is safe for you and for others. You should also ensure that the unit will not be damaged or be made unsafe by the methods that you choose.

The information, specifications, and illustrations in this manual are based on the information that was available at the time this material was written and are subject to change without notice.

Safety Alert Symbols



This is the safety alert symbol. It is used to alert you to potential personal injury hazards.

Obey all safety messages that follow this symbol to avoid possible injury or death.

This manual contains DANGERS, SAFETY INSTRUCTIONS, CAUTIONS, IMPORTANT NOTICES, and NOTES which must be followed to prevent the possibility of improper service, damage to the equipment, personal injury, or death. The following key words call the readers attention to potential hazards.

Hazards are identified by the "Safety Alert Symbol" and followed by a signal word such as "DANGER", "WARNING", or "CAUTION".

DANGER

Indicates an imminently hazardous situation which, if not avoided, will result in death or serious injury. This signal word is limited to the most extreme situations.

WARNING

Indicates a potentially hazardous situation which, if not avoided, could result in death or serious injury.

CAUTION

Indicates a potentially hazardous situation which, if not avoided, may result in minor or moderate injury.

NOTICE

Indicates that equipment or property damage can result if instructions are not followed.

SAFETY INSTRUCTIONS

Safety instructions (or equivalent) signs indicate specific safety-related instructions or procedures.

Note: Contains additional information important to a procedure.

Safety Icons Nomenclature

This manual and the equipment has numerous safety icons.

These safety icons provide important operating instructions which alert you to potential personal injury hazards.

Personal Protection/Important Information

 READ THE MANUAL

 THINK SAFETY


 MAINTENANCE PROCEDURE

 WEIGHT RATING

 EYE PROTECTION

 HAND PROTECTION

 HEAD PROTECTION

 HEARING PROTECTION

 INSPECT EQUIPMENT

 OEM PARTS ONLY

 PLACE IN NEUTRAL

 PROTECTIVE SHOES


 REMOVE KEY

 DAMAGED HAZARD LABEL

 SLOW VEHICLE PLACARD

 SET PARKING BRAKE

 STOP ENGINE

 SUPPORT STAND USAGE

 USE PROPER TOOLS

 VISUALLY INSPECT

 USE ROPS


 USE CORRECT PARTS


Prohibited Actions


 DO NOT ALTER OR MODIFY


 DO NOT LEAVE OUT TOOLS

 DO NOT WELD


 NO ALCOHOL

 NO CHILDREN

 NO DRUGS

 NO PASSENGERS

 NO RIDERS

 NO BYSTANDERS


Hazard Avoidance

 BLOCK WHEELS


 CRUSHING HAZARD (body)

 CRUSHING HAZARD (foot)


 CRUSH HAZARD (rolling over)

 DEFECTIVE OR BROKEN PART


 FALLING HAZARD


 MAINTAIN SAFE DISTANCE


 OVERTURN HAZARD


 PINCH POINT HAZARD


 SAFETY ALERT SYMBOL


 SHARP OBJECT HAZARD

 ZERO PRESSURE


 COMPRESSED AIR HAZARD

 CRUSH HAZARD

 CRUSH HAZARD

 HIGH PRESSURE FLUID HAZARD

 HOT SURFACE HAZARD

 HEAVY OBJECT HAZARD

GENERAL SAFETY

WARNING



Read and Understand Manual

To prevent personal injury or even death, be sure you read and understand all of the instructions in this manual and other related OEM equipment manuals! This equipment is dangerous to children and persons unfamiliar with its operation. The operator should be a responsible adult familiar with farm machinery and trained in this equipment's operations. Do not allow persons to operate or maintain this unit until they have read this manual and have developed a thorough understanding of the safety precautions and how it works.

This unit was designed for a specific application;

DO NOT modify or use this unit for any application other than that for which it was designed.

Units operated improperly or by untrained personnel can be dangerous!



Fall Hazard

Do not use this implement as a work platform. Do not stand on top of the unit at any time. Do not ride on the tractor or the implement or allow others to ride.



Crush Hazard (Rolling Over)

To prevent serious injury or death, before disconnecting, leaving the operator's seat, servicing, adjusting, repairing, or performing other work on the implement, ALWAYS:

1. Stop the tractor or towing vehicle.
2. Shut off the engine and remove the ignition key.
3. Set the brakes.
4. Make sure wheel cylinder transport lock is attached.
5. Relieve hydraulic fluid pressure.



Injury Hazard

Do not permit children to play on or around the unit.



Impaired Operator Hazard

Do not attempt to operate this unit under the influence of drugs or alcohol. Review the safety instructions with all users annually.



Pinch Point /Sharp Object Hazard

Do not place any body parts between moving and / or stationary parts. The weight of the implement will easily cause serious bodily injury.



To prevent injury, use a tractor equipped with a Roll Over Protective System (ROPS).



Visually Inspect

Visually inspect the unit for any loose bolts, worn parts, or cracked welds, and make necessary repairs before using the unit.

Personal Protection Equipment

When working around or operating this unit, wear appropriate personal protective equipment. This list includes but is not limited to:



- A hard hat
- Protective shoes with slip resistant soles
- Protective goggles, glasses, or face shield
- Heavy gloves and protective clothing
- Ear muffs or plugs



Use Properly Rated Tools

To prevent serious injury: Use sufficient tools, jacks, and hoists that have the capacity for the job.



NO PASSENGERS ALLOWED

Do not carry passengers anywhere on or in the tractor or implement.



Rolling Hazard

To prevent serious injury, lock the wheels when performing assembly, maintenance, repairs, or when preparing for storage.

ASSEMBLY SAFETY

WARNING



Crush Hazard

Use support blocks or safety stands rated to support the load when assembling the unit or performing maintenance. Never work under equipment supported by hydraulics. Hydraulics can drop equipment instantly if controls are actuated even when power to the hydraulics is shut off.

TOWING SAFETY



WARNING

BIN TRAILERS ARE FOR FARM USE ONLY AND NOT DESIGNED FOR TOWING ON PUBLIC ROADS.



Unexpected Separation Hazard

If the safety chain does not have a current certification tag, do not use the unit until properly certified chains are installed. Substandard safety chains could allow the unit to separate from the tow vehicle, resulting in equipment damage and personal injury.



Loss of Control

A minimum of 20% of the combined tractor and equipment weight should be on the front wheels to ensure adequate stability during transport and operation. To avoid serious injury or death from a loss of control accident, maintain 20% weight on the front wheels. Add front end weight if necessary.



Hitch and coupling on the towing vehicle must be rated equal to, or greater than, the unit's "gross vehicle weight rating" (GVWR).

SAFETY INSTRUCTIONS



Towing the implement requires care! Both the implement and tow vehicle must be in good working condition. Securely attach the unit to the tow vehicle using a high strength, appropriately sized hitch pin with a mechanical retainer and attach the safety chain.



Check the tires for tread wear, inflation pressure, and overall condition before towing the unit.



Inspect the hitch and coupling for wear or damage. **DO NOT** tow the unit using a defective hitch or coupling!



Make sure the lug nuts holding the wheels are tight (torque to specifications) and that none are missing.



Do not allow anyone to stand between the tongue or hitch and the towing vehicle when backing up to the unit.

Operate the towing vehicle from the operator's seat only.



When transporting, remember the implement may be wider than your tractor and extreme care must be taken to allow for safe clearance.



Be aware of physical surroundings and especially bystanders, particularly children, before moving the unit! This is particularly important with higher noise levels and quiet cabs, as you may not hear people shouting.

Never use independent braking with unit in tow as loss of control and/or upset of unit may result.

Always drive at a safe speed relative to local conditions, and ensure that your speed is low enough for an emergency stop to be safe and secure. Keep speed to a minimum.

Reduce speed prior to turns to avoid the risk of overturning.

Avoid sudden uphill turns on steep slopes.

Always keep the tractor or towing vehicle in gear to provide engine braking when going downhill. Do not coast.

Watch for overhead obstructions and side clearances while transporting.

Always operate equipment in a position to provide maximum visibility at all times. Make allowances for increased length and weight of the equipment when making turns, stopping, etc.

OPERATION SAFETY

WARNING



Crush Hazard (Rolling Over)

Do not clean, lubricate, or make adjustments while the unit is moving.



Never allow inexperienced or untrained personnel to operate the implement or tractor without supervision.



Enter And Exit Tractor

To avoid being run over, do not enter or exit tractor when it is moving. Avoid serious injury or death, from contact with rotating tires, by entering or exiting tractor only when it is completely stopped.

Safe Distance



Keep all bystanders, especially children, away from the tractor and implement during operation.



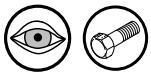
Overturn Hazard

Pick the most level route possible when transporting across fields. Avoid the edges of ditches, gullies, or steep hillsides. Be especially careful when turning on slopes with the wheels down. Never turn uphill with the wheels down except at slow speed and a low rate of turn. Never transport or operate this machine on steep slopes.

SAFETY INSTRUCTIONS



Periodically clear the unit of brush, twigs, or other materials to prevent buildup of dry, combustible materials.



Visually check all fasteners for tightness or damage before and after operation. Repair immediately if required.

Tractor Requirements

WARNING



Tractor Owner/Operator Manual

Always refer to the tractor Operator's Manual to ensure compatibility and maximum safety. Be familiar with the location, settings, and function of the tractor controls before using this equipment.

SAFETY INSTRUCTIONS

Do not use a tractor of more than the recommended HP to prevent damaging implement components.

Tractor Safety Devices

If transporting or operating the tractor and implement near a public roadway, the tractor must be equipped with proper warning lighting and a Slow Moving Vehicle (SMV) emblem, which are clearly visible from the rear of the unit. Lights and a SMV emblem must be attached directly to the implement if the visibility of the tractor warning signals is obscured.

Never operate the tractor PTO with the PTO master shield missing or in the raised position.

ROPS and Seat Belt

The tractor must be equipped with a Roll Over Protective Structure (ROPS) (tractor cab or roll-bar) and seat belt to protect the operator from falling off the tractor, especially during a roll-over where the driver could be crushed and killed.

Only operate the tractor with the ROPS in the raised position and seat belt fastened.

WARNING



Rollover Hazard

To avoid serious injury or death from falling off tractor, equipment rollover, rollover, or crushing:

- 1) Use ROPS equipped tractor.
- 2) Keep ROPS locked in the UP position.
- 3) Only operate the equipment when seated in the tractor seat.
- 4) Always fasten seat belt when operating the tractor and Implement.

Attaching to Tractor

WARNING



Crush Hazard

Use care when attaching the unit to the tractor. Never place any part of your body under the tongue or hitch assembly. Do not allow anyone to stand between moving tractor and implement during hook-up operations.

Unexpected Separation Hazard

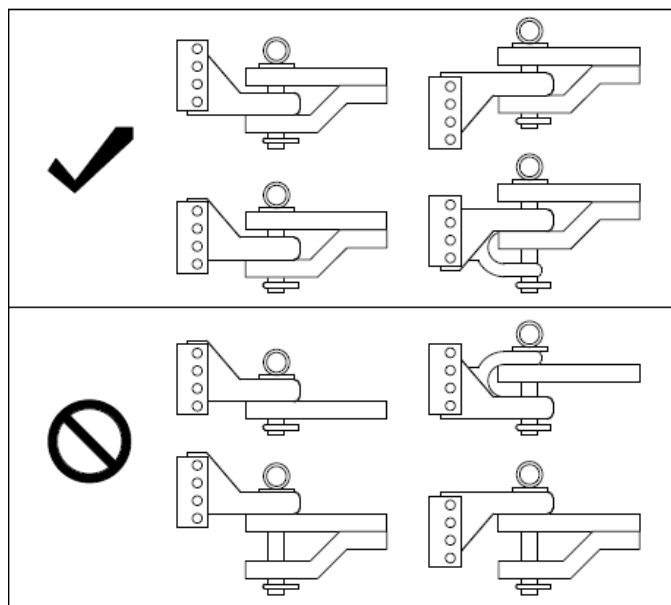


If towing the unit with a drawbar, use only a certified, hardened drawbar pin with a retainer clip. Do not use homemade pins, bolts, or any other type of retaining device. Always install the retainer clip, making sure the hitch and unit are securely fastened to the tow vehicle.

Using a pin not intended for this type of towing can result in unexpected separation of the unit from the tow vehicle, resulting in equipment damage and personal injury.

SAFETY INSTRUCTIONS

Connect implement hitch to the tractor properly.



MAINTENANCE SAFETY

WARNING



Use Properly Rated Tools

Use sufficient tools, jacks, and hoists that have the capacity for the job.



Crush Hazard

Use support blocks or safety stands rated to support the load when performing maintenance.

SAFETY INSTRUCTIONS

Follow all operating, maintenance, and safety instructions found in this manual.



Understand the service procedure before performing the work. Keep area clean and dry.



Keep all parts in good condition and properly installed. Fix damage immediately. Replace worn or broken parts.



Do not leave tools lying on the unit.



Do not modify unit or safety devices. Do not weld on the unit. Unauthorized modifications may impair its function and safety.

If equipment has been altered in any way from the original design, the manufacturer does not accept any liability for injury or warranty.



Never replace hex bolts with less than Grade 5 bolts unless otherwise specified. In locations where Grade 8 bolts are used, Grade 8 replacements are required.



Where replacement parts are necessary for periodic maintenance and servicing, genuine factory replacement parts must be used to restore the unit to original specifications.

The manufacturer will not accept responsibility for damages as a result of the use of unapproved parts.

Tires Safety



WARNING



Explosive Separation Hazard

Do not attempt to mount a tire onto a wheel unless you have the proper equipment and experience to do the job. Failure to follow proper procedures when mounting a tire on a wheel can produce an explosive separation, which may result in serious injury or death.



Explosive Hazard

Never weld or heat a wheel and tire assembly. The heat can cause an increase in air pressure, resulting in a tire explosion. Welding can structurally weaken or deform the wheel.



Flying Objects Hazard

Inflating or servicing tires can be dangerous. Whenever possible, trained personnel should be called to service and/or mount tires.

When inflating tires, use a clip-on chuck and extension hose. Always stand to the side of the tire when inflating, and NOT in front of or over the tire assembly. Make sure the tires are inflated evenly.

SAFETY INSTRUCTIONS



Always maintain the correct tire pressure. Do not inflate the tires above the recommended pressure.



Check tires for low pressure, cuts, bubbles, damaged rims, or missing lug bolts or nuts.



Keep wheel lug nuts or bolts tightened.



Always install replacement tires and wheels with appropriate capacity to meet or exceed the weight of the unit.

Bolt Torque Requirements

It is extremely important to apply and maintain proper torque on all bolts. Use a torque wrench to assure the proper amount of torque is being applied to the fastener. Start all bolts or nuts by hand to prevent cross threading. Torque figures indicated in the chart are used for non-greased or non-oiled threads unless otherwise specified.

Therefore, do not grease or oil bolts or cap screws unless otherwise specified in this manual. When using locking elements, increase torque values by 5%.

The chart gives correct torque values for various bolts and cap screws. Tighten all bolts to the torques specified in the chart unless otherwise noted. Check tightness of bolts periodically, using the bolt torque chart as a guide. Always replace hardware with the same Grade bolt.



WARNING



Equipment Failure

The torque value for bolts and cap screws are identified by their head markings. Replacing higher "Grade" bolts (Grade 5) with lower Grade bolts will lead to equipment failure and can result in injury or death. Always use replacement bolts with the same Grade markings as the removed bolt.

Bolt Diameter	Bolt Torque Specifications			
	Grade 5		Grade 8	
	N·m	ft.lbs.	N·m	ft.lbs.
1/4"	12	9	17	12
5/16"	25	19	36	27
3/8"	45	33	63	45
7/16"	72	53	100	75
1/2"	110	80	155	115
9/16"	155	115	220	165
5/8"	215	158	305	220
3/4"	390	290	540	398
7/8"	570	420	880	650
1"	850	630	1320	970

Tire and Lug Torque Specifications

Tire Size	Ply Rating	Lug Size	Lug Torque (lb.ft.)
7.6 x 15	8 Ply	1/2"	80
8 x 8	6 Ply	1/2"	75-85

Welding Repairs



Before performing any type of welding repair to the implement, contact T.G. Schmeiser Co., Inc. for approval. Repair welding must be done with care and with procedures that may be beyond the capabilities of the ordinary welder.



WARNING



Personal Injury Hazard

Repairs or modifications to the implement can result in serious injury or death should these repairs fail.

NOTICE

Anyone performing a welding repair should be certified in accordance to the American Welding Society (AWS) standards.

STORAGE SAFETY



WARNING



Hazard And Information Signs

Replace any missing or hard-to-read safety signs. Safety sign placement and part numbers can be found in the Nomenclature section of this manual.



Damaged Parts Hazard

Do not use this unit if it is in need of repair. If you believe the unit has a defect which could cause damage, injury, or death, you should immediately stop using the unit.

SAFETY INSTRUCTIONS



Store the implement in an area away from human activity.



Do not permit children to play on or around the stored unit at any time.



Block the wheels to prevent the implement from rolling.



When using compressed air to clean implement, wear safety glasses.

SAFETY SIGNS AND DECALS

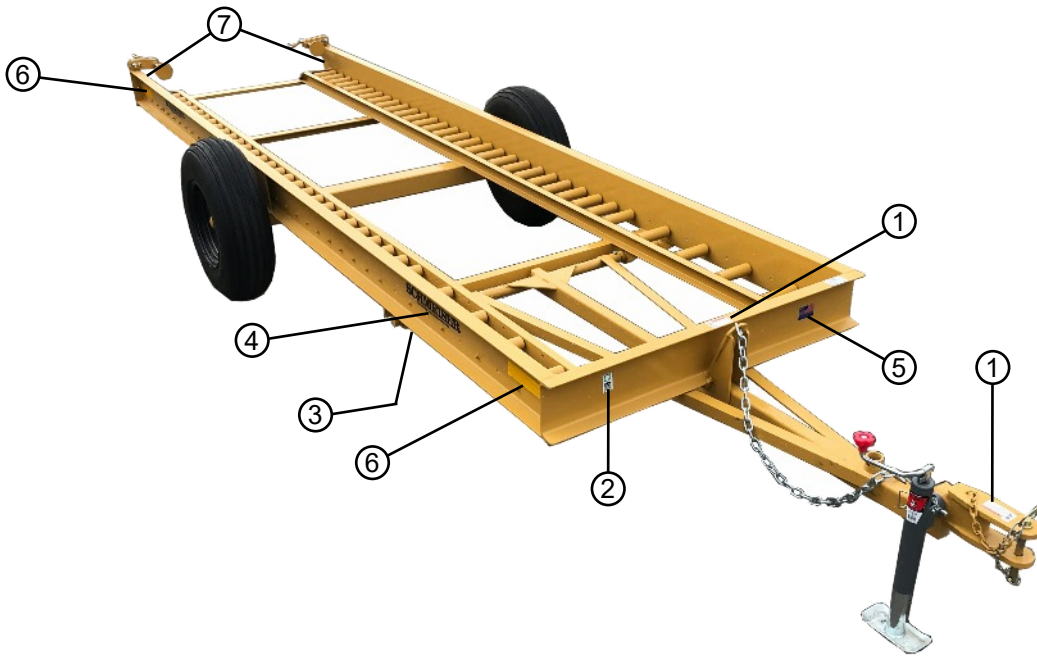
SAFETY INSTRUCTIONS

Follow all operating, maintenance, and safety Instructions found in this manual .

Replace all worn or damaged safety and instruction decals .

- It is the responsibility of the customer to know the marking requirements of the local highway authorities and to comply with the regulations.
- Keep safety signs clean and legible at all times. Replace safety signs that are missing or have become illegible.
- Do not paint over, remove, or deface any safety signs or instructional decals on your equipment. Observe all safety signs and follow the instructions on them.
- When parts that display a safety sign are replaced, the replacement part should display the same sign.
- Safety signs are available from your Distributor, Dealer Parts Department, or the factory.
- Use care when washing or cleaning the unit not to remove or damage the labels.

SAFETY SIGNS AND DECALS PLACEMENT




Item	Part Number	Description	Qty.
1	D28X048PPT	Pinch Point	2
2	DFEMALOGO1	FEMA Decal	1
3	D16X026GRS	Grease Decal	2
4	D088512BLK	Schmeiser 5-1/2" X 32"	2
5	D32X048RBC	Made in the USA	1
6	D-2X9RY	Reflective Tape, Yellow (3-Bin and 4-Bin Only)	4
7	D-B489R	Reflective Tape, Red	2

Safety Signs and Decals



ASSEMBLY AND OPERATION

WARNING

 **Understand Safety Procedures!**
Read and understand all safety procedures described in this manual before performing any work on or around the implement.

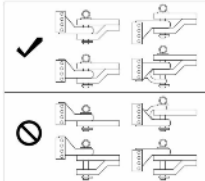
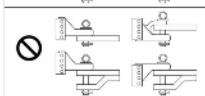


Attaching to Pulling Vehicle

1. Raise the jack stand until the tongue is at the height of the pulling vehicle drawbar.
2. Connect the hitch of the unit to the pulling vehicle.
3. Raise the jack stand and rotate into its storage position.

Initial Setup Checklist

Efficient and safe operation of the implement requires that every user read and understand the operational instructions and all related safety instructions outlined in this manual.

This checklist is provided for the user/owner. It is important for both personal safety and to maintain the mechanical condition of the implement that this checklist is followed.

Initial Setup Checklist (prior to using for the first time)		
	Location	Task
		Make sure the Bin Trailer is properly attached to the pulling vehicle. Refer to "Attaching to Pulling Vehicle" on page 16.
		
		Make sure all hardware is properly installed and tightened. Refer to "Maintenance" on page 19.
		Lubricate grease fittings. Refer to "Lubrication Points" on page 19.

Implement Break-In

Although there are no operational restrictions on the Bin Trailer when used for the first time, it is recommended that the following mechanical items be checked:

1. After 1/2 hour of operation check all fasteners and tighten if necessary.
2. After 10 hours of operation go to the normal servicing and maintenance schedule, as defined in the Maintenance Section.

Operating Instructions

1. Make sure the Bin Trailer is properly attached to the pulling vehicle before beginning work. Inspect the condition of the rollers and the overall Bin Trailer for potential problems or damage. Do not use the unit if it needs repairs of any type.
2. Clear the area of bystanders, especially small children. Make sure that you can clearly see and identify passersby, steep slopes, ditches, drop-offs, power lines, debris, and foreign objects. If you are unable to clearly see these type of items, discontinue operating the Bin Trailer.
3. Know the location of all underground cables, pipelines, and other hazards in the area. Also make certain that all irrigation heads, utility outlets, and other obstacles are properly marked.
4. Watch for low hanging limbs, power lines, and other overhead obstacles while you are operating. Use care to avoid hitting these items.
5. Do not operate the Bin Trailer or drive the pulling vehicle into material that is burning, or areas that recently burnt and may contain hot spots. Tire damage can occur when driving over hot material. Oil and grease on the pulling vehicle and the trailer could ignite resulting in equipment destruction.

Detaching From the Pulling Vehicle

1. Park the vehicle, place the transmission in park or neutral, and apply the parking brake. Shut down the engine and remove the key before exiting the pulling vehicle / tractor.
2. Block the wheels to prevent movement.
3. Remove the jack from its storage location and secure it to the hitch by fully inserting the locking pin through the jack and the hitch bracket. Use the jack to raise the hitch to the height needed to disconnect it from the drawbar.

4. Remove the hitch pin and drive the pulling vehicle / tractor away from the Bin Trailer.

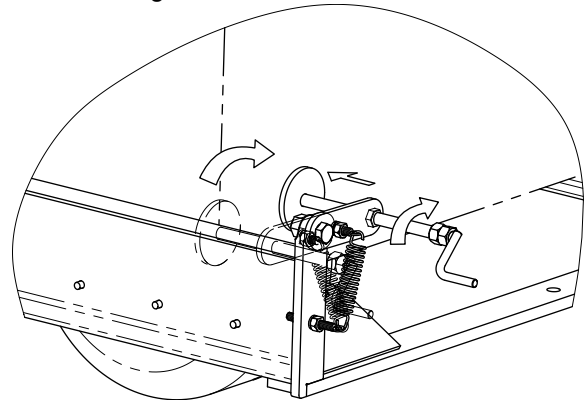
Features and Options

Rear Adjustable Bin Stops

Your Bin Trailer is equipped with Rear Adjustable Bin Stops that allow adjustment for different size harvest bins.

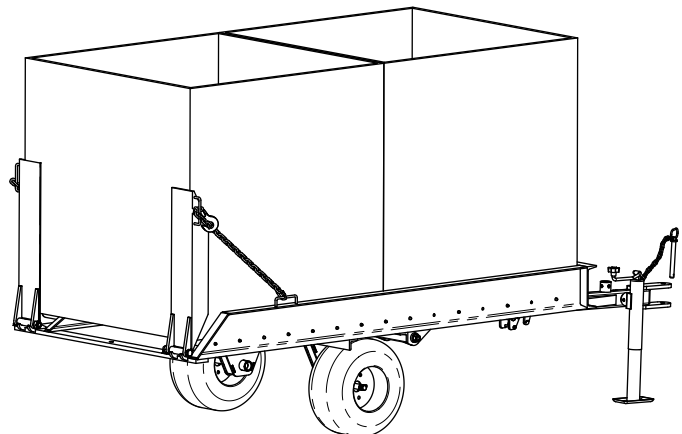
To adjust Bin Stops:

1. Flip Rear Bin Stop assembly to the inside of the Bin Trailer frame.
2. Rotate Bin Stop Handle to move Stop in towards bins until it makes contact with the last bin on the trailer. Ensure all bins are secure before trailer starts moving.



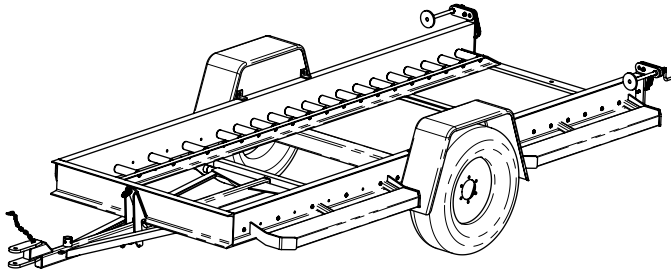
Rear Transition Ramps (2-Bin models)

Bin Trailer Transition Ramps are used for smoother unloading of harvest bins. Secure ramps with chains and hooks when not in use. Ramps can also serve as harvest bin stops when in transport.



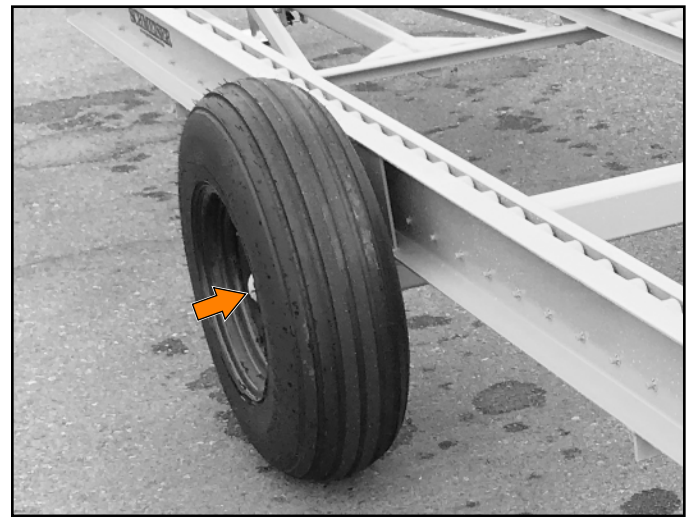
Platforms and Fenders (Standard models)

Bin Trailer Platforms are used for standing. Fenders protect personnel from accidental injuries from moving tires.



Wheel Hub Bearings

Grease once per season – inspect bearings and races for wear and replace if necessary.



MAINTENANCE

WARNING



Understand Safety Procedures!

Read and understand all safety procedures described in this manual before performing any work on or around the implement.

Lubrication Points

Add grease to the locations shown.

Pull Frame Hinge

Grease once per season .



Service Items

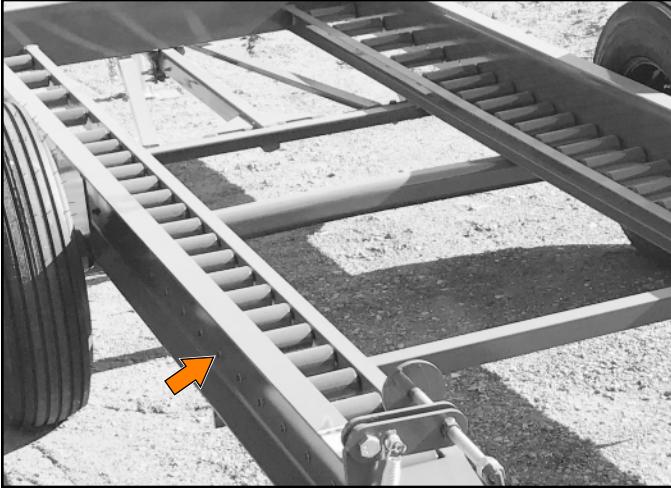
Tires

Check tire pressure and set to tire manufacturer's recommended specifications. Inspect the tires for wear and/or damage. Make sure the wheel lugs are tightened to the proper torque.



Rollers

Check rollers for wear and damage, check roller bearings and shafts, replace if needed. Ensure that all push rings are in place.



MAINTENANCE SCHEDULE

Maintenance	Hours and Serviced By																		
Before Each Use or Daily																			
Ensure that all fasteners are tight, and all pins are secured in place.																			
Inspect the frame for structural fractures.																			
Make sure all warning decals are in place and legible.																			
Check tires for proper pressure. Adjust if necessary.																			
Check all rollers for wear and damage. Replace if necessary.																			
Every 50 Hours or Weekly																			
Perform the Daily Maintenance schedule.																			
Lubricate zerk fittings on pull frame hinges with a good general purpose grease.																			
Every 1000 Hours or Annually																			
Perform the Daily Maintenance schedule.																			
Perform the Weekly Maintenance schedule.																			
Lubricate zerk fittings on pull frame hinges with a good general purpose grease.																			
Remove debris and clean the entire implement with compressed air or a pressure washer.																			
Remove rust and apply a coat of paint to frame surfaces where the paint has been worn off or damaged.																			



STORAGE

Storage Preparation

After Bin Trailer field work is completed for a season, perform the following maintenance procedures before storing the implement.

1. Check all bolted connections. Ensure that the fasteners are tight, and all retaining pins are secured in place with appropriate retaining clips.
2. Check the tire pressure and set to the tire manufacturer's recommended specification. Inspect the tires for wear and/or damage. Make sure the wheel lugs are properly tightened. Refer to "Tire and Lug Torque Specifications" on page 12.
3. Inspect the frame for structure fractures and inspect rollers for wear or damage.
4. Check hubs for signs of seal damage or excessive wear.
5. Make sure all the warning decals are in place and legible. Replace any worn decals as needed.
6. Remove debris and clean the entire implement with compressed air or low pressure water.
7. Lubricate all grease fittings on the frame members with a good general purpose lithium grease. Refer to "Lubrication Points" on page 18 for the location of the fittings.
8. Add grease to the fittings on the transport wheel bearing hubs with a good quality wheel bearing grease. Fill each cavity just until resistance is felt. Do not force grease past the seals.
9. To help prevent corrosion, remove rust and apply a coat of paint to frame surfaces where paint has been worn off or damaged.

Placing in storage

1. Raise the implement, place jack stand in the transport mode.
2. Move the Bin Trailer to a storage area with a firm and level base to prevent it from tipping or sinking into the ground. Always store the Bin Trailer in a dry, protected location. Leaving this implement unprotected will shorten the service life.

3. Unhitch the implement from the pulling vehicle. Refer to "Detaching From Pulling Vehicle" on page 19.
4. Do not leave the tractor attached to the implement while in storage.

Removing From Storage

Each season, perform the following inspection and maintenance before using the unit.

1. Read the operator's manual to review all safety, operational, and maintenance procedures.
2. Perform any recommended maintenance that was not completed when the implement was put into storage.
3. Visually inspect the implement for wear or damage.
4. Check the tire pressure and set to the tire manufacturer's recommended specification. Inspect the tires for wear and/or damage.
5. Inspect all rollers for signs of wear or damage.
6. Make sure all the warning decals are in place and legible. Replace any damaged or missing decals.
7. Hitch the implement to a tractor/pulling vehicle. Refer to "Attaching to Pulling Vehicle" on page 16.

DISPOSAL OF EQUIPMENT AT END OF USEFUL LIFE

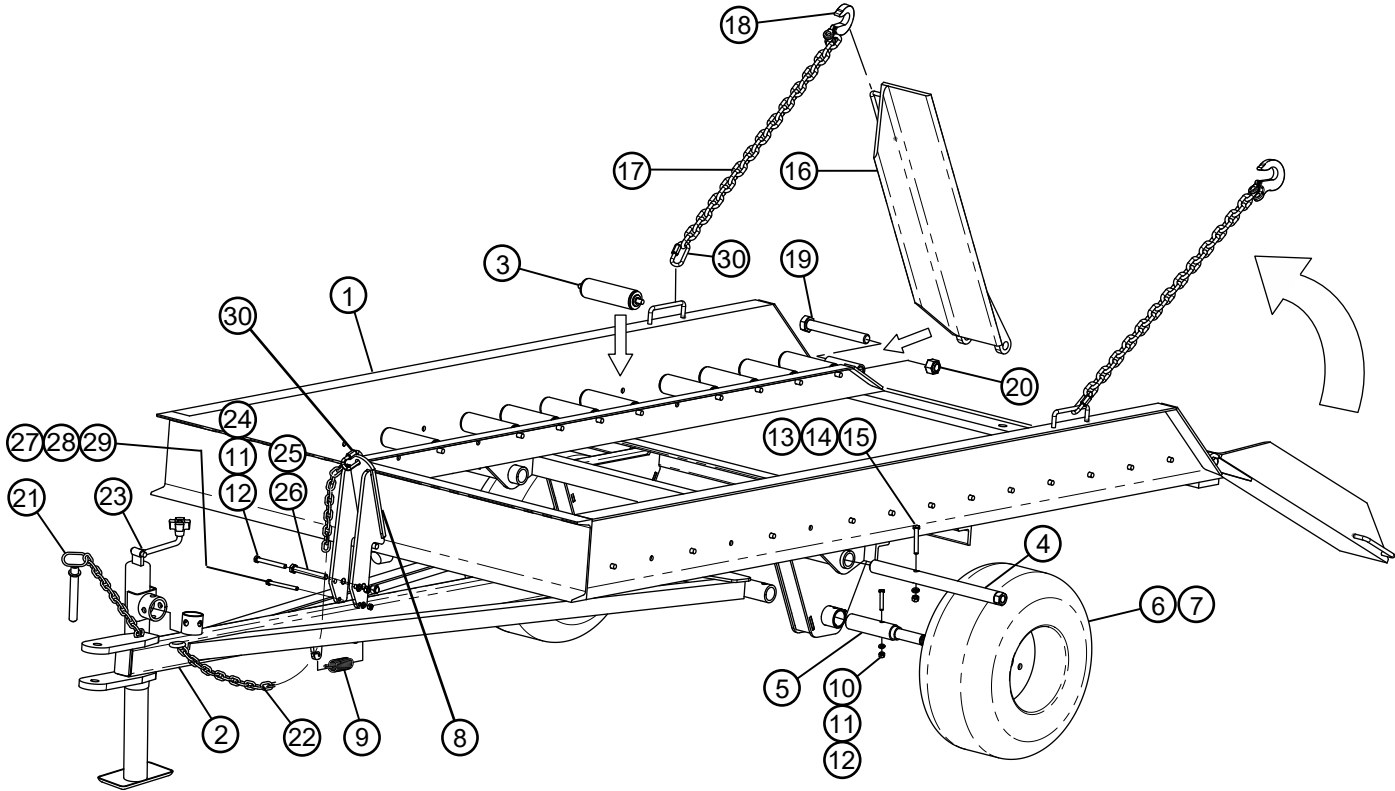
The T. G. Schmeiser implement has been designed for the specific purpose of conditioning the ground in agricultural applications. When this unit is no longer capable of doing its designed purpose, it should be dismantled and scrapped. Do not use any materials or components from this unit for any other purpose.

PARTS SECTION

Ordering Parts

We manufacture a quality product that requires very little maintenance or repair. However, should a part break or become damaged, our knowledgeable staff can make sure you receive the part(s) to put your unit back into operation.

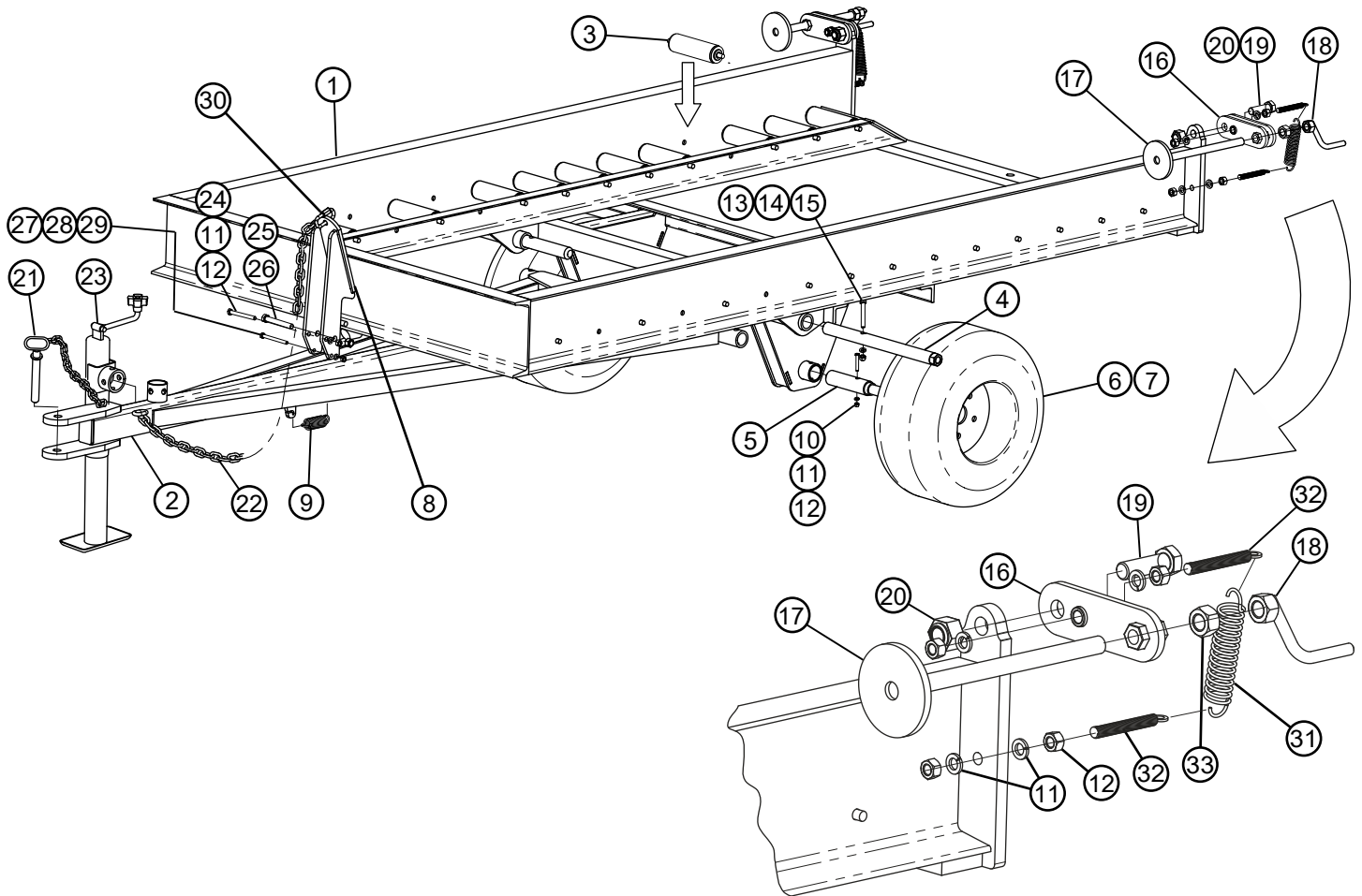
2-Bin Trailer Narrow with Transition Ramps



Item	Part Number	Description	Qty.
1	HBT-08A300	Main Frame 8 Ft. with ramps	1
2	HBT-00B100	Pull Frame for Narrow Frames	1
3	HBT-00E000	Trailer Roller Assembly	24
4	HBT-00D000	Pull Frame Hinge Pin	2
5	HBT-00H100	Removable Single Spindle	2
6	GWT-800806	8 X 8, 6 Ply Tire w/Wheel	2
7	GHB-5X45VD	5 X 4-1/2" Trailer Hub Complete	2
8	HBT-00C000	Latch	1
9	GSR-CENT01	Pull Frame Latch Spring	1
10	CSNC506040	3/8" X 2-1/2" NC Cap Screw	2
11	LWASHER-06	3/8" Lock Washer	3
12	HXNUT-06NC	3/8" NC Hex Nut	3
13	CSNC508040	1/2" X 2-1/2" NC Cap Screw	2
14	LWASHER-08	1/2" Lock Washer	2
15	HXNUT-08NC	1/2" NC Hex Nut	2

Item	Part Number	Description	Qty.
16	HBT-00G000L(R)	Transition Ramps LH (RH)	1 of ea
17	GMB-CH05PC	5/16" Gr.30 Chain 2.5 Ft. Long	2
18	GMB-CH05HK	5/16" Slip Hook	2
19	CSNC512120	3/4" X 7-1/2" NC Cap Screw	2
20	NYNUT-12NC	3/4" Nylon Lock Hex Nut	2
21	GPN-12100CH	3/4" X 6-1/4" Pin w/Handle	1
22	GMB-CH05PC	5/16" Gr.30 Chain 3 Ft. Long	1
23	GJK-2KTW10	Jack Stand 2000 Lbs. Capacity	1
24	CSNC506056	3/8" X 3-1/2" NC Cap Screw	1
25	CSNC508064	1/2" X 4" NC Cap Screw	1
26	NYNUT-08NC	1/2" NC Nylon Lock Hex Nut	1
27	CSNC505056	5/16" X 3-1/2" NC Cap Screw	1
28	LWASHER-05	5/16" Lock Washer	1
29	HXNUT-05NC	5/16" NC Hex Nut	1
30	GMB-CH05QL	5/16" Chain Quick Link	2

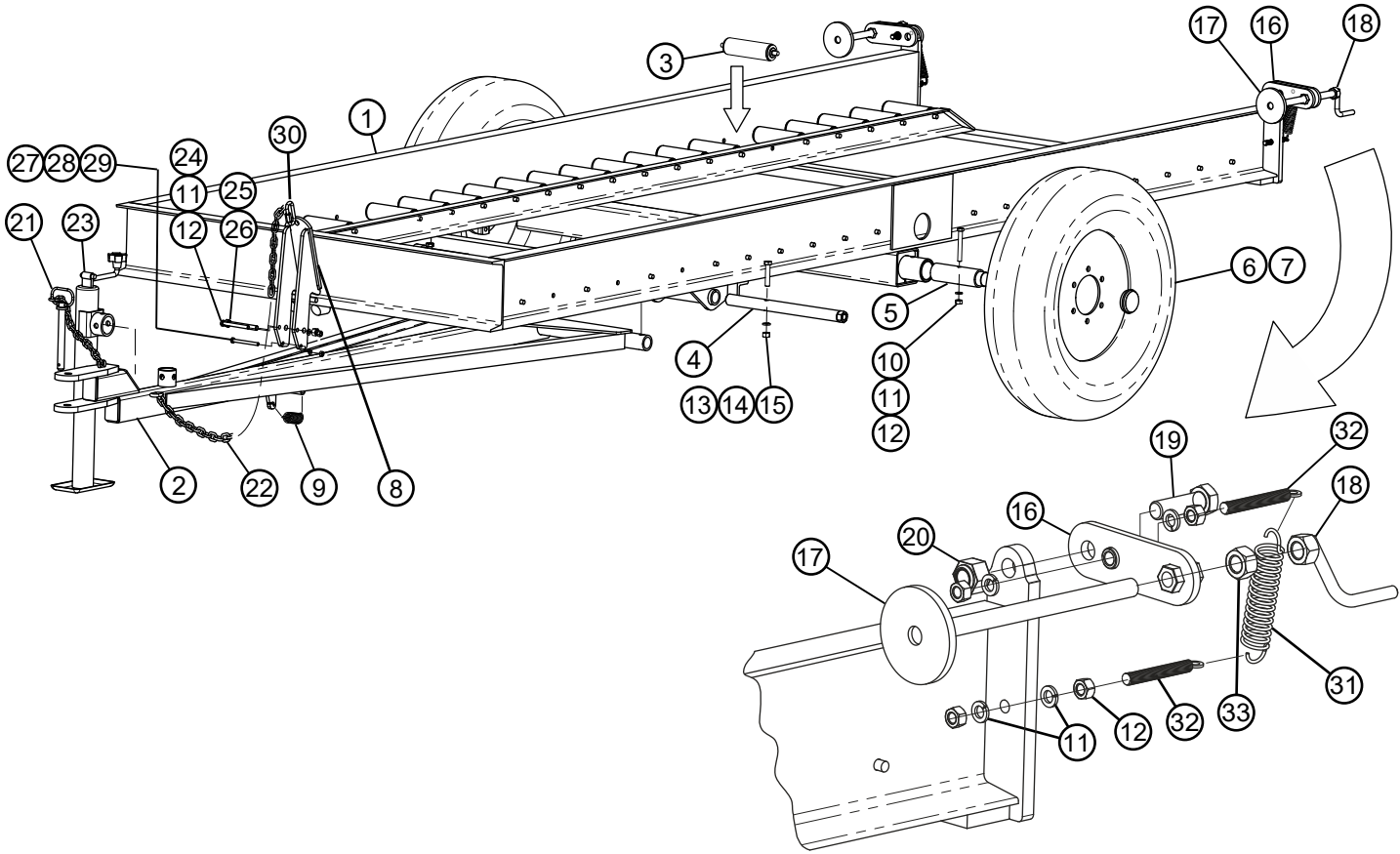
Bin Trailer Narrow with Adjustable Bin Stops



Item	Part Number	Description	Q'ty		
			2-Bin	3-Bin	4-Bin
1	HBT-00A000	Main Frame Narrow (specify size)	1	1	1
2	HBT-00B100	Pull Frame for Narrow Frames	1	1	1
3	HBT-00E000	Trailer Roller Assembly	24	40	56
4	HBT-00D000	Pull Frame Hinge Pin	2	2	2
5	HBT-00H100	Removable Single Spindle	2	-	-
	HBT-00H200	Removable Double Spindle	-	2	2
6	GWT-800806	8 X 8, 6 Ply Tire w/Wheel	2	4	-
	GWT-801010	8 X 10, 10 Ply Tire w/Wheel	-	-	4
7	GHB-5X45VD	5 X 4-1/2" Trailer Hub Complete	2	4	4
8	HBT-00C000	Latch	1	1	1
9	GSR-CENT01	Pull Frame Spring	1	1	1
10	CSNC506040	3/8" X 2-1/2" NC Cap Screw	2	2	2
11	LWASHER-06	3/8" Lock Washer	3	3	3
12	HXNUT-06NC	3/8" NC Hex Nut	3	3	3
13	CSNC508040	1/2" X 2-1/2" NC Cap Screw	2	2	2
14	LWASHER-08	1/2" Lock Washer	2	2	2
15	HXNUT-08NC	1/2" NC Hex Nut	2	2	2
16	HBT-00F100	Adjustable Stop Arm	2	2	2

Item	Part Number	Description	Q'ty		
			2-Bin	3-Bin	4-Bin
17	HBT-00F200	Rear Bin Stop	2	2	2
18	HBT-00F300	Rear Bin Stop Crank Handle	2	2	2
19	CSNC512120	3/4" X 2-3/4" NC Cap Screw	2	2	2
20	NYNUT-12NC	3/4" Nylon Lock Hex Nut	2	2	2
21	GPN-12100CH	3/4" X 6-1/4" Pin w/Handle	1	1	1
22	GMB-CH05PC	5/16" Gr.30 Chain 3 Ft. Long	1	1	1
23	GJK-2KTW10	Jack Stand 2000 Lbs. Capacity	1	1	1
24	CSNC506056	3/8" X 3-1/2" NC Cap Screw	1	1	1
25	CSNC508064	1/2" X 4" NC Cap Screw	1	1	1
26	NYNUT-08NC	1/2" NC Nylon Lock Hex Nut	1	1	1
27	CSNC505056	5/16" X 3-1/2" NC Cap Screw	1	1	1
28	LWASHER-05	5/16" Lock Washer	1	1	1
29	HXNUT-05NC	5/16" NC Hex Nut	1	1	1
30	GMB-CH05QL	5/16" Chain Quick Link	2	2	2
31	GSR-EX0101	Extention Spring	2	2	2
32	3VB-00D400	Spring Rod	4	4	4
33	HXNUT-12NC	3/4" NC Hex Nut	2	2	2

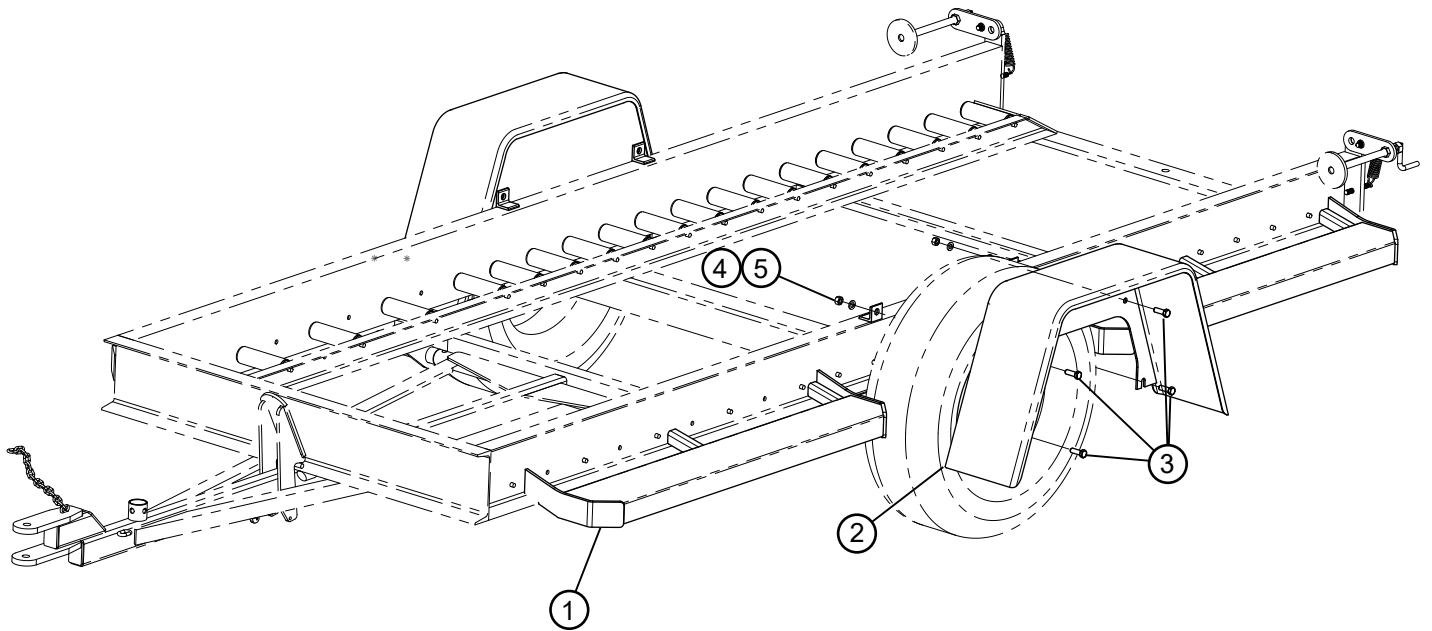
Bin Trailer Standard with Adjustable Bin Stops



Item	Part Number	Description	Q'ty	
			2,3-Bin	4-Bin
1	HBT-00A100	Main Frame Narrow (specify size)	1	1
2	HBT-00B100	Pull Frame for Narrow Frames	1	1
3	HBT-00E000	Trailer Roller Assembly	24, 40	56
4	HBT-00D000	Pull Frame Hinge Pin	2	2
5	PTU-00P011	Removable 2" X 11" Spindle	2	2
6	GWT-761508	7.6 X 15, 8 Ply Tire w/Wheel	2	-
	GWT-951508	9.5 X 15, 8 Ply Tire w/Wheel	-	2
7	GHB-6X6STD	6 X 6" Standard Hub	2	2
8	HBT-00C000	Latch	1	1
9	GSR-CENT01	Pull Frame Spring	1	1
10	CSNC506040	3/8" X 2-1/2" NC Cap Screw	2	2
11	LWASHER-06	3/8" Lock Washer	3	3
12	HXNUT-06NC	3/8" NC Hex Nut	3	3
13	CSNC508040	1/2" X 2-1/2" NC Cap Screw	2	2
14	LWASHER-08	1/2" Lock Washer	2	2
15	HXNUT-08NC	1/2" NC Hex Nut	2	2
16	HBT-00F100	Adjustable Stop Arm	2	2

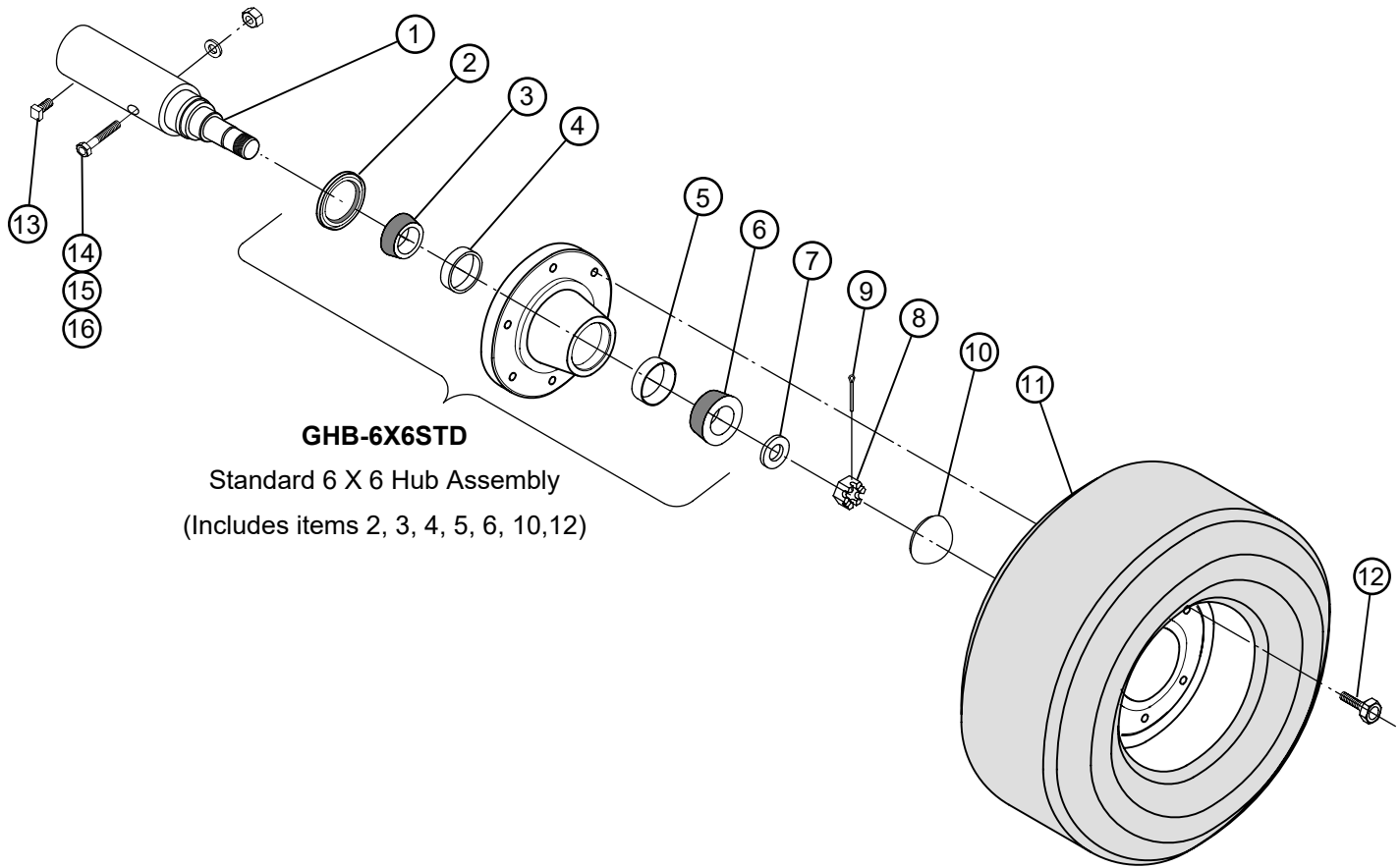
Item	Part Number	Description	Q'ty	
			2,3-Bin	4-Bin
17	HBT-00F200	Rear Bin Stop	2	2
18	HBT-00F300	Rear Bin Stop Crank Handle	2	2
19	CSNC512120	3/4" X 2-3/4" NC Cap Screw	2	2
20	NYNUT-12NC	3/4" Nylon Lock Hex Nut	2	2
21	GPN-12100CH	3/4" X 6-1/4" Pin w/Handle	1	1
22	GMB-CH05PC	5/16" Gr.30 Chain 3 Ft. Long	1	1
23	GJK-2KTW10	Jack Stand 2000 Lbs. Capacity	1	1
24	CSNC506056	3/8" X 3-1/2" NC Cap Screw	1	1
25	CSNC508064	1/2" X 4" NC Cap Screw	1	1
26	NYNUT-08NC	1/2" NC Nylon Lock Hex Nut	1	1
27	CSNC505056	5/16" X 3-1/2" NC Cap Screw	1	1
28	LWASHER-05	5/16" Lock Washer	1	1
29	HXNUT-05NC	5/16" NC Hex Nut	1	1
30	GMB-CH05QL	5/16" Chain Quick Link	2	2
31	GSR-EX0101	Extention Spring	2	2
32	3VB-00D400	Spring Rod	4	4
33	HXNUT-12NC	3/4" NC Hex Nut	2	2

Bin Trailers Standard with Platforms and Fenders (Optional)



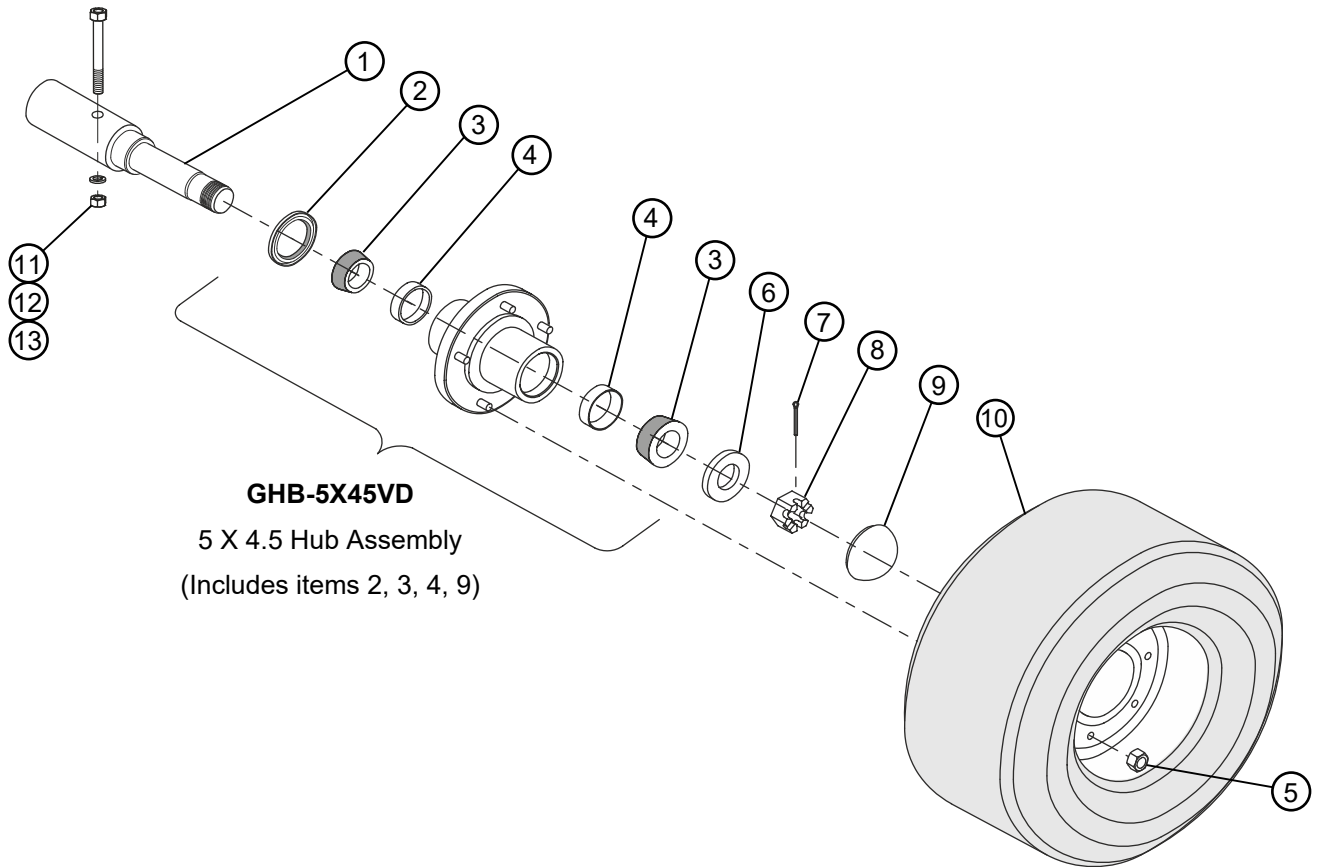
Item No	Part No	Description	Qty
1	HBT-08A200	2-Bin Standard with Platforms and Fenders Frame	1
	HBT-12A200	3-Bin Standard with Platforms and Fenders Frame	1
	HBT-16A200	4-Bin Standard with Platforms and Fenders Frame	1
2	HBT-00J000	Fender Weldment	2
3	CSNC508024	1/2" X 1-1/2" NC Cap Screw	8
4	LWASHER-08	1/2" Lock Washer	8
5	HXNUT-08NC	1/2" NC Hex Nut	8

Tire and Wheel Hub Assembly (Standard Models only)



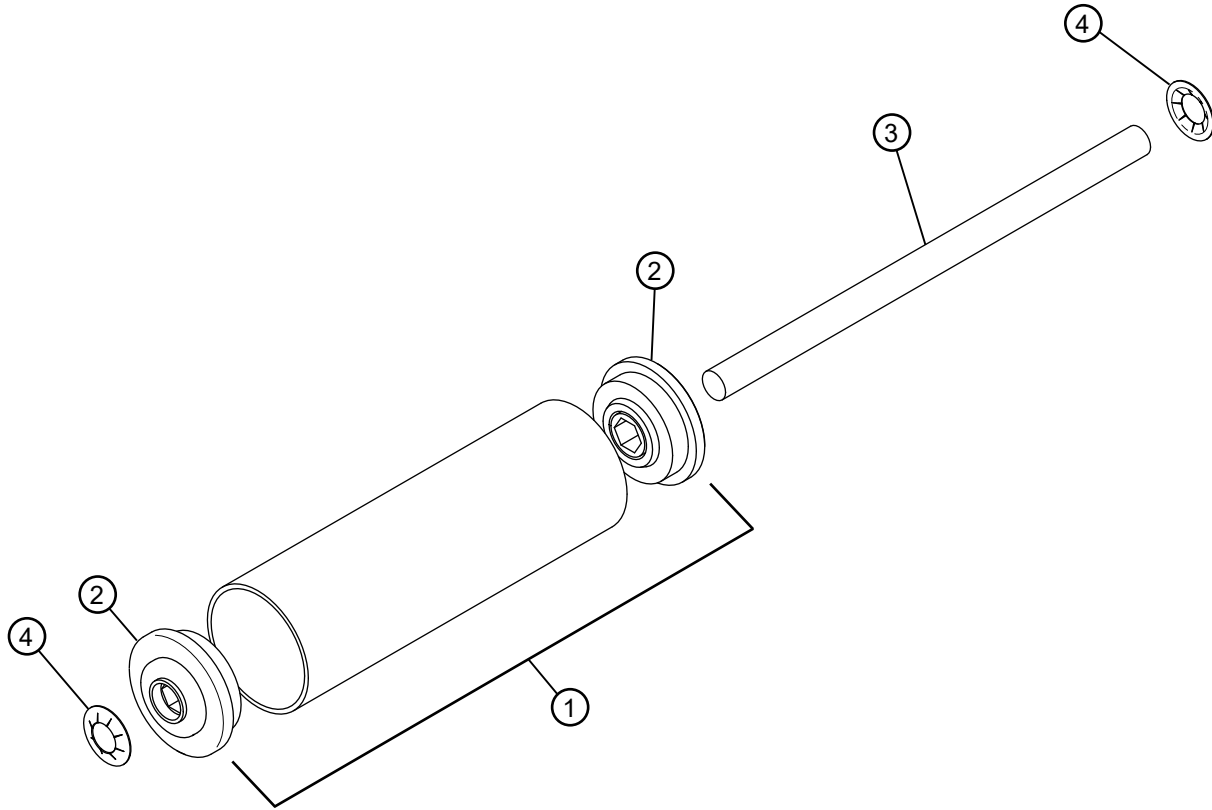
Item No	Part No	Description	Qty
1	PTU-00P011	2" X 11" Single Ended Removable Spindle	2
2	GHB-6X6GSL	Grease Seal	2
3	GHB-6X6ICN	Inner Bearing Cone for 6 on 6 Std. Hub	12
4	GHB-6X6IRC	Inner Bearing Cup for 6 on 6 Std. Hub	2
5	GHB-6X6ORC	Outer Bearing Cup for 6 on 6 Std. Hub	2
6	GHB-6X6OCN	Outer Bearing Cone for 6 on 6 Std. Hub	2
7	GSP-14SPWA	Spindle Washer	2
8	GSP-14CANT	Spindle Castle Nut	2
9	GPN-03X32C	3/16" X 2" Cotter Pin	2
10	GHB-6X6CAP	Hub Cap	2
11	GWT-761508	7.6 X 15 8 Ply Tire with Wheel (2-Bin and 3-Bin models only)	2
	GWT-951508	9.5 X 15, 8 Ply Tire w/Wheel (4-Bin models)	2
12	WHB-08X016	1/2" X 1" UNF Wheel Bolts for 6 on 6 Std. Hub	12
13	SSNCS08X16	1/2" X 1" NC Set Screw	2
14	CSNC507056	7/16" X 3-1/2" NC Gr.5 Cap Screw	2
15	LWASHER-07	7/16" Lock Washer	2
16	HXNUT-07NC	7/16" NC Hex Nut	2

Tire and Wheel Hub Assembly (Narrow Models only)



Item No	Part No	Description	Qty
1	HBT-00H100	1" X 10-1/2" Single Ended Removable Spindle (2-Bin models)	2
	HBT-00H200	1" X 17" Double Ended Removable Spindle (3-Bin models)	2
2	GHB-5X4GSL	Grease Seal	2 or 4
3	GHB-5X4BCN	Bearing Cone for 5 on 4.5 Hub	4 or 8
4	GHB-5X4BCP	Bearing Cup for 5 on 4.5 Hub	4 or 8
5	WHN-08NFWN	1/2" NF Lug Nut	10 or 20
6	GSP-16SPWA	Spindle Washer 1"	2 or 4
7	GPN-03X32C	3/16" X 2" Cotter Pin	2 or 4
8	GSP-16CANT	Spindle Castle Nut	2 or 4
9	GHB-5X4CAP	Hub Cap	2 or 4
10	GWT-800806	8 X 8, 6 Ply Tire with Wheel (2-Bin and 3-Bin Narrow)	2 or 4
	GWT-801010	8 X 10, 10 Ply Tire with Wheel (4-Bin Narrow only)	4
11	CSNC506040	3/8" X 2-1/2" NC Gr.5 Cap Screw	2 or 4
12	LWASHER-06	3/8" Lock Washer	2 or 4
13	HXNUT-06NC	3/8" NC Hex Nut	2 or 4

Roller Assembly (all models)



Item No	Part No	Description	Qty/Roller
1	HBT-00E000	Bin Trailer Roller Assembly (includes item # 2)	1
2	GBR-07HB01	7/16" Hex Bore Roller Bearing	2
3	HBT-00E002	7/16" Roller Shaft	1
4	GMB-EPR07	7/16" Push Ring	2

LIMITED WARRANTY STATEMENT

T.G. Schmeiser Co., Inc.

P.O. Box 1392 – Selma, CA 93662

Phone (559) 268-8128 Fax (559) 268-3279

T. G. Schmeiser Co., Inc. warrants each new Schmeiser® product to be free from defects in material and workmanship. This warranty is applicable only for the normal service life expectancy of the product or components, not to exceed twelve (12) consecutive months from the date of delivery of the new Schmeiser product to the original purchaser.

Genuine T. G. Schmeiser Co., Inc. replacement parts and components will be warranted for 90 days from date of purchase, or the remainder of the original equipment warranty period, whichever is longer.

Under no circumstances will it cover any merchandise or components thereof, which, in the opinion of the company, has been subjected to misuse, unauthorized modifications, alteration, an accident or if repairs have been made with parts other than those obtainable through T. G. Schmeiser Co., Inc.

The Company in no way warrants engines, batteries, cylinders, tires or other trade accessories since these items are warranted separately by their respective manufacturer. Expendable components such as points, shanks, blades, rings, bearings, teeth, and the like are excluded from this warranty.

Our obligation under this warranty shall be limited to repairing or replacing, free of charge to the original purchaser, any part that, in our judgment, shall show evidence of such defect, provided further that such part shall be returned within thirty (30) days from date of failure to T. G. Schmeiser Co., Inc., routed through the dealer and distributor from whom the purchase was made, transportation charges prepaid.

This warranty shall not be interpreted to render T. G. Schmeiser Co., Inc. liable for injury or damages of any kind or nature to person or property. This warranty does not extend to the loss of crops, loss because of delay in harvesting, or any expense or loss incurred for labor, substitute machinery, rental or for any other reason.

Except as set forth above, T. G. Schmeiser Co., Inc. shall have no obligation or liability of any kind on account of any of its equipment and shall not be liable for special or consequential damages. T. G. Schmeiser Co., Inc. makes no other warranty, expressed or implied, and, specifically, T. G. Schmeiser Co., Inc. disclaims any implied warranty or merchantability or fitness for a particular purpose. Some states or provinces do not permit limitations or exclusions of implied warranties or incidental or consequential damages, so the limitations or exclusion in this warranty may not apply.

This warranty is subject to any existing conditions of supply, which may directly affect our ability to obtain materials or manufacture replacement parts.

T. G. Schmeiser Co., Inc. reserves the right to make improvements in design or changes in specifications at any time, without incurring any obligation to owners of units previously sold.

No one is authorized to alter, modify or enlarge this warranty nor the exclusion, limitations and reservations.

**WARRANTY VOID IF NOT REGISTERED
WITHIN 30 DAYS OF PURCHASE DATE**



**P.O. Box 1392
Selma, CA 93662
(559) 268-8128
WEB: www.TGSchmeiser.com**

